

Labelling system

Identification of hook-up wires and cables



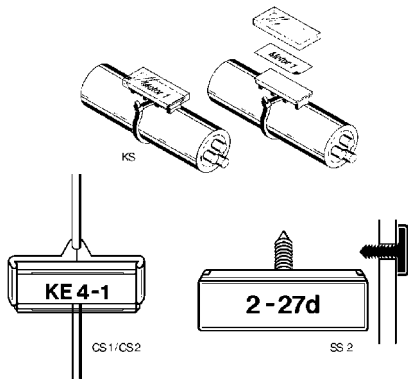
Technical data

Stability

UV-stable and non-yellowing

Design

- Material Polypropylene
- Covering cap: Polystyrene



Part-No.	Type	Description	Dimensions mm	weight approx. kg/100 piece	VE piece
Clip-on marker CS 1/CS 2					
680418	CS 1	For labelling of devices and supply cables after the wiring. Termination area 0.75 to 4.0 mm clip-on markers are supplied with labelling sheets. Labelling sheets for laser printer see system for laser printer labelling.	28 × 11	0.10	500
680419	CS 2	For labelling of devices and supply cables after the wiring. Termination area 0.75 to 4.0 mm clip-on markers are supplied with labelling sheets. Labelling sheets for laser printer see system for laser printer labelling.	39 × 15.5	0.30	500
Cable marker KS 1					
681310	KS 1	The cable marker KS 1 is designed for the labelling of cables, wires and conduits, pipes etc. in raw, moist and dusty environments. The label with the information is embedded in the cable marker and thus fully protected. The marker is attached using cable ties. Cable markers are supplied with labelling sheets labelling sheets for laser printer see system for laser printer labelling.	34 × 16	0.30	500
Plug-in markers SS 2					
680424	SS 2	For the labelling of devices on the mounting panel. Hole 4 mm. Pressing in of the plug-in marker. Securely locked in by plastic lugs. Plug-in markers are supplied with labelling sheets. labelling sheets see system for laser printer labelling.	32.0 × 12.0		