

Load monitoring · Varioprint fuse module

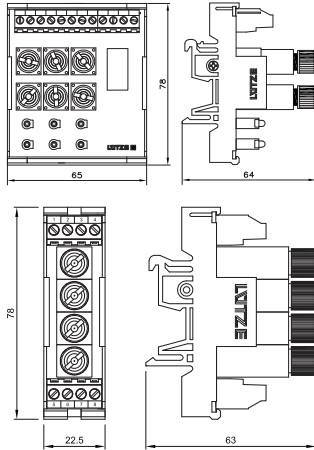
AC/DC Load monitoring with fuse (5 × 20 mm)

Monitoring circuits 2.5 A und 6.3 A

Group signal using potential-free relay contact (only 716123)

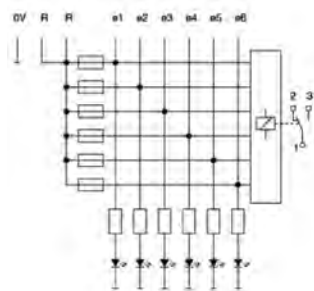


Dimensions

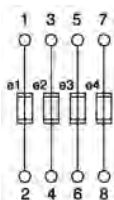


PIN assignment

716123



710820



| Description | Part-No. | Type | PU |
|---|--|-------------------------|-----------|
| Load monitoring 6×2.5 A | | | |
| Termination | 716123 | SIPE-6LED-6123 DC 24 V | 1 |
| Load monitoring 4×6.3 A | | | |
| Termination | 710820 | SIPE-4-0820 AC/DC 250 V | 2 |
| Input | | | |
| | 716123 | 710820 | |
| Nominal voltage | DC 24 V | AC/DC 230 V | |
| Input voltage range | 16.8 – 30.0 V | 0.0 – 250.0 V | |
| Rated current | 6 × DC 2.5 A | 4 × DC 6.3 A | |
| Fuse | Glass tube 5x20 mm, not included in delivery | | |
| Resistor | <0.1 Ω | | |
| Status Indication | – | | |
| Rated insulation voltage (EN 50178) | 150 V | 300 V | |
| Pollution degree | 2 | | |
| Overvoltage category | I | | |
| Signal circuit | | | |
| Switching element | Relay | | |
| Contact type | 1 change over contact | | |
| Min. switching voltage | AC/DC 17 V | | |
| Max. switching voltage | AC/DC 250 V | | |
| Min. switching current | AC/DC 0.10 mA | | |
| Max. switching current | AC/DC 3 A | | |
| Switch-on delay | 8 ms | | |
| Switch-off delay | 8 ms | | |
| Switching capacity | max. 1250 VA | | |
| Contact material | AgNi | | |
| Mechanical service life | 2 × 10 ⁷ operations | | |
| Rated insulation voltage (EN 40178) | 250 V | | |
| Clearance/creep. dist. (contol/load side) | >2 mm | | |
| General | | | |
| Form | Varioprint | | |
| Protection class | IP 20 | | |
| Field installation | rail TS 35 (EN 50022) | | |
| Insulation voltage input/output | – | | |
| Safe isolation | – | | |
| Operation temperature range | -20 – 60 °C | | |
| Storage temperature range | -25 – 80 °C | | |
| Dimensions (w × h × d) | 65.0 × 77.0 × 63.0 mm | 22.5 × 77.0 × 63.0 mm | |
| Weight (kg/piece) | 0.116 | 0.070 | |
| Approvals | – | | |
| Termination | Screw terminal: 0.25–2.5 mm ² | | |
| Accessories | Article number | Description | PU |
| Identification unit | 710799 | | 100 |