

- Compliant with EN 60309-1 and -2
- Enclosure, insert and spring lid in insulating, thermoplastic, self-extinguishing material
- RAL 7035 grey enclosure
- Spring lid colour coded according to the operating voltage and frequency
- Wall-mounting types PB...PP, top entry with threaded grommet (replaceable with cable gland)
- Flush-mounting types PB...PI, flange with anti-aging gasket
- Coupler types PB...PV, cable anchoring collar incorporated in the insert, entry with grommet
- Terminals with retained screws
- Nickel-plated contacts on request
- IP44 degree of protection (EN 60529)
- with Italian Quality Mark

**16A wall-mounting socket
IP44 degree of protection**



**32A wall-mounting socket
IP44 degree of protection**

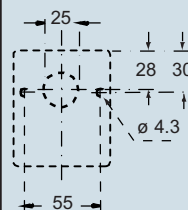
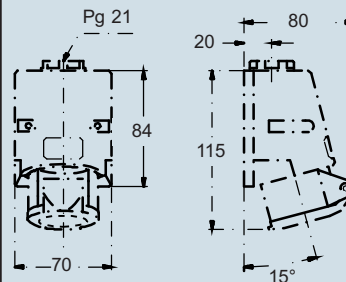


Number of poles	Frequency Hz	Voltage V	Earthing contact position h	Part No.	Colour	Part No.	Colour
2P	50 and 60	20 - 25	-	PB 16002 PP		PB 32002 PP	
	50 and 60	40 - 50	12	PB 16122 PP		PB 32122 PP	
	> 100 - 200 included	20 - 25 and 40 - 50	4	PB 16042 PP		PB 32042 PP	
	300	20 - 25 and 40 - 50	2	PB 16022 PP		PB 32022 PP	
	400	20 - 25 and 40 - 50	3	PB 16032 PP		PB 32032 PP	
	> 400 - 500 included	20 - 25 and 40 - 50	11	PB 16112 PP		PB 32112 PP	
	d.c.	20 - 25 and 40 - 50	10	PB 16102 PP		PB 32102 PP	
3P	50 and 60	20 - 25	-	PB 16003 PP		PB 32003 PP	
	50 and 60	40 - 50	12	PB 16123 PP		PB 32123 PP	
	> 100 - 200 included	20 - 25 and 40 - 50	4	PB 16043 PP		PB 32043 PP	
	300	20 - 25 and 40 - 50	2	PB 16023 PP		PB 32023 PP	
	400	20 - 25 and 40 - 50	3	PB 16033 PP		PB 32033 PP	
	> 400 - 500 included	20 - 25 and 40 - 50	11	PB 16113 PP		PB 32113 PP	

(*) Green may be used together with the colour of the operating range for frequencies above 60 Hz and up to a maximum of 500 Hz.

dimensions in mm

(16 / 32A) PB ... PP



dimensions shown are not binding
and may be changed without notice

16A flush-mounting socket-outlets
IP44 degree of protection



32A flush-mounting socket-outlets
IP44 degree of protection



16A couplers
IP44 degree of protection



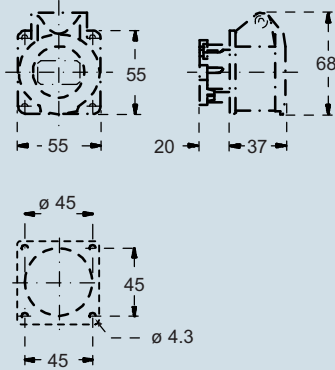
32A couplers
IP44 degree of protection



Part No.	Colour	Part No.	Colour	Part No.	Colour	Part No.	Colour
PB 16002 PI	 E 45 x 45 mm	PB 32002 PI	 E 45 x 45 mm	PB 16002 PV	 45	PB 32002 PV	 45
PB 16122 PI		PB 32122 PI		PB 16122 PV		PB 32122 PV	
PB 16042 PI		PB 32042 PI		PB 16042 PV		PB 32042 PV	
PB 16022 PI		PB 32022 PI		PB 16022 PV		PB 32022 PV	
PB 16032 PI		PB 32032 PI		PB 16032 PV		PB 32032 PV	
PB 16112 PI		PB 32112 PI		PB 16112 PV		PB 32112 PV	
PB 16102 PI		PB 32102 PI		PB 16102 PV		PB 32102 PV	
PB 16003 PI	 E 45 x 45 mm	PB 32003 PI	 E 45 x 45 mm	PB 16003 PV	 45	PB 32003 PV	 45
PB 16123 PI		PB 32123 PI		PB 16123 PV		PB 32123 PV	
PB 16043 PI		PB 32043 PI		PB 16043 PV		PB 32043 PV	
PB 16023 PI		PB 32023 PI		PB 16023 PV		PB 32023 PV	
PB 16033 PI		PB 32033 PI		PB 16033 PV		PB 32033 PV	
PB 16113 PI		PB 32113 PI		PB 16113 PV		PB 32113 PV	

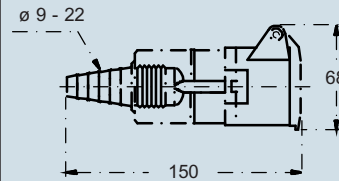
dimensions in mm

(16 / 32A) PB ... PI



dimensions in mm

(16 / 32A) PB ... PV



E to be ordered FM 910 CV cover (to be pierced)

E to be ordered FM 923 CV cover (to be pierced)

- Compliant with EN 60309-1 and -2
- Enclosure and insert in insulating, thermoplastic and self-extinguishing material
- RAL 7035 grey enclosure
- Plug mouth colour coded according to the operating voltage and frequency
- Wall-mounting types PB...SM, top entry with threaded grommet (replaceable with cable gland)
- Coupler types PB...SV, cable anchoring collar incorporated in the collar, entry with grommet
- Terminals with retained screws
- Nickel-plated contacts on request
- IP44 degree of protection (EN 60529)
- with Italian Quality Mark

16A wall-mounting plugs
IP44 degree of protection



32A wall-mounting plugs
IP44 degree of protection

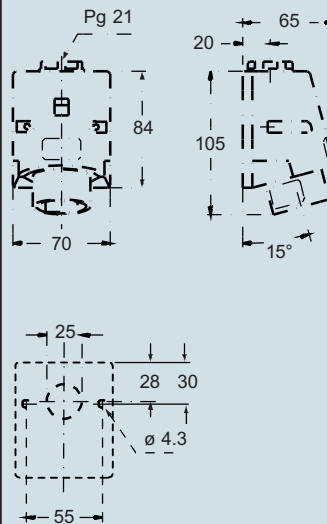


Number of poles	Frequency Hz	Voltage V	Earthing contact position h	Part No.	Colour	Part No.	Colour
2P	50 and 60	20 - 25	-	PB 16002 SM		PB 32002 SM	
	50 and 60	40 - 50	12	PB 16122 SM		PB 32122 SM	
	> 100 - 200 included	20 - 25 and 40 - 50	4	PB 16042 SM		PB 32042 SM	
	300	20 - 25 and 40 - 50	2	PB 16022 SM		PB 32022 SM	
	400	20 - 25 and 40 - 50	3	PB 16032 SM		PB 32032 SM	
	> 400 - 500 included d.c.	20 - 25 and 40 - 50	11	PB 16112 SM		PB 32112 SM	
3P	50 and 60	20 - 25	-	PB 16003 SM		PB 32003 SM	
	50 and 60	40 - 50	12	PB 16123 SM		PB 32123 SM	
	> 100 - 200 included	20 - 25 and 40 - 50	4	PB 16043 SM		PB 32043 SM	
	300	20 - 25 and 40 - 50	2	PB 16023 SM		PB 32023 SM	
	400	20 - 25 and 40 - 50	3	PB 16033 SM		PB 32033 SM	
	> 400 - 500 included	20 - 25 and 40 - 50	11	PB 16113 SM		PB 32113 SM	

(*) Green may be used together with the colour of the operating range for frequencies above 60 Hz and up to a maximum of 500 Hz.

dimensions in mm

(16 / 32A) PB ... SM



16A plugs
IP44 degree of protection

32A plugs
IP44 degree of protection



Part No.	Colour	Part No.	Colour
PB 16002 SV		PB 32002 SV	
PB 16122 SV		PB 32122 SV	
PB 16042 SV		PB 32042 SV	
PB 16022 SV		PB 32022 SV	
PB 16032 SV		PB 32032 SV	
PB 16112 SV		PB 32112 SV	
PB 16102 SV		PB 32102 SV	
PB 16003 SV		PB 32003 SV	
PB 16123 SV		PB 32123 SV	
PB 16043 SV		PB 32043 SV	
PB 16023 SV		PB 32023 SV	
PB 16033 SV		PB 32033 SV	
PB 16113 SV		PB 32113 SV	

dimensions in mm

(16 / 32A) PB ... SV

