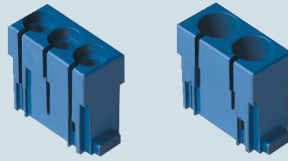


the modular inserts must be installed in suitable frames which are then mounted in traditional housings or COB panel support

frames for modular units ..... page: 194 - 195

- UL, CSA, CCC, GL, GOST certified
- are made of self-extinguishing thermoplastic resin UL 94 V0
- mechanical life:  $\geq 500$  cycles

## modular units with 2 or 3 seats



## pneumatic contacts with or without closing valve



description	part No.	part No.
without contacts (to be ordered separately) - inserts with 3 housings for tube $\varnothing 1,6 \div 4,0$ - inserts with 2 housings for tube $\varnothing 6,0$	<b>CX 03 P</b> <b>CX 02 P</b>	
female contacts without closing valve - for tubes with internal $\varnothing 1,6$ mm - for tubes with internal $\varnothing 3$ mm - for tubes with internal $\varnothing 4$ mm - for tubes with internal $\varnothing 6$ mm male contacts without closing valve - for tubes with internal $\varnothing 1,6$ mm - for tubes with internal $\varnothing 3$ mm - for tubes with internal $\varnothing 4$ mm - for tubes with internal $\varnothing 6$ mm		<b>CX 1.6 PF</b> <b>CX 3.0 PF</b> <b>CX 4.0 PF</b> <b>CX 6.0 PF</b>  <b>CX 1.6 PM</b> <b>CX 3.0 PM</b> <b>CX 4.0 PM</b> <b>CX 6.0 PM</b>
female contacts with closing valve - for tubes with internal $\varnothing 1,6$ mm - for tubes with internal $\varnothing 3$ mm - for tubes with internal $\varnothing 4$ mm - for tubes with internal $\varnothing 6$ mm male contacts (use contacts without closing valve)		<b>CX 1.6 VC</b> <b>CX 3.0 VC</b> <b>CX 4.0 VC</b> <b>CX 6.0 VC</b>

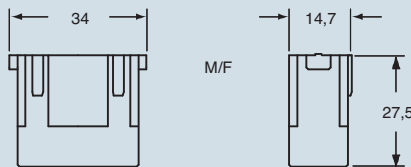
### Warnings:

CRM/F CX (page 430) code pins and guides must be used for pneumatic contacts modules. These pins also provide coding if pneumatic contacts modules are used exclusively.

### Use of units for pneumatic contacts

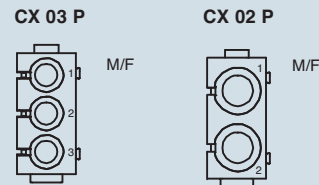
- identical male and female modular units
- pneumatic contacts for pressure values up to 8 bar, for use with clean and dry compressed air
- contacts for gas on request (see Warnings)
- use of tubes with  $\varnothing 1,6 - 3 - 4$  and 6 mm, and possible replacement of tubes with assembled units
- possibility of using tubes with different diameters in the same modular unit
- female contacts with or without closing valve
- working temperature range - 40 °C  $\div$  + 80 °C

### dimensions in mm



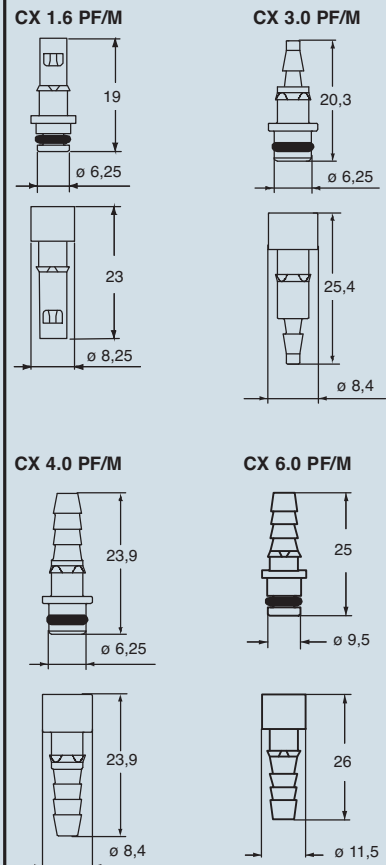
### contacts side (front view)

side with reference arrow ▲



- footprint 1 module

### dimensions in mm



dimensions shown are not binding and may be changed without notice