

Interface Technology · Microcompact analogue/limit value switch

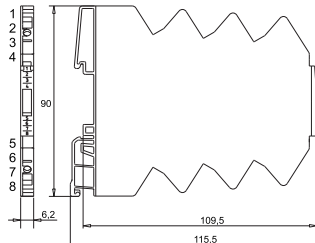
Input: ± 30 V, ± 50 mA, ± 5 A adjustable – adjustable limit value switch

Output: Semiconductor NO contact

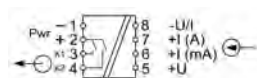
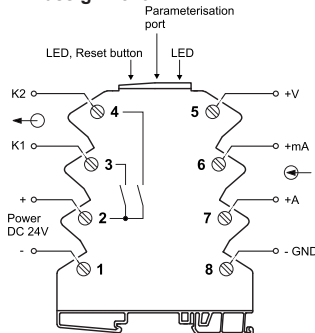
Insulation: 2.5 kV, 2-way isolation



Dimensions



PIN assignment



Description	Part-No.	Type	PU				
Screw terminal							
Nominal voltage	DC 24 V	750360	LCON ALS FDT 806210	1			
Spring terminal							
Nominal voltage	DC 24 V	751360	LCON ALS FDT 806211	1			
Input							
	+30/-30V	+50/-50mA	+5A/-5A				
Measurement input	+30/-30 V, +50/-50 mA, DC +5 A/-5 A, adjustable via software FDT/DTM, connection via micro USB						
Galvanic isolation I/O	2-way isolation						
Step response (10–90%)	4 ms – 750 ms (adjustable by means of filter stage 1–5, default: filter stage 4 = 200 ms)						
Input characteristic impedance	> 800 k Ω	30 Ω	10 m Ω				
Zero /Span	freely adjustable						
Output							
Output signal	adjustable via software: FDT / DTM, connection via USB service cable						
Contact type	K1, K2 semiconductor NO contact						
Max. switching voltage	DC 30 V						
Max. switching current	DC 100 mA						
Status Indication	LED yellow K1 and LED yellow K2, not short-circuit-proof						
Operating mode	Limit value, window, alarm output / additionally adjustable: Hysteresis, input / output delay						
General							
	+30/-30V	+50/-50mA	+5A/-5A				
Nominal voltage	DC 24 V						
Operation voltage range	16.8–30 V						
Rated current	approx. 12 mA						
Status Indication	LED green, yellow (K1, K2), red (error)						
Input/output protection	Overvoltage DC 30 V						
Accuracy	0.1 % FSR		0.5 % FSR				
Linearity error	± 0.05 % FSR		± 0.1 % FSR				
Termination	Screw-/spring terminal: 0.14–1.5 mm ²						
Resolution	16-bit						
Temperaturcompensation intern	–						
Configuration	Software: FDT / DTM						
Temperature error	<100 ppm FSR						
Data storage	Flash						
Insulation voltage input/output	2.5 kV _{eff}						
Housing material	PA 6.6 (UL 94 V-0)						
Field installation	rail TS 35 (EN 50022)						
Protection class	IP 20						
Installation position	Optional						
Operation temperature range	–40 °C – 70 °C						
Storage temperature range	–40 °C – 85 °C						
Dimensions (w × h × d)	6.2 × 90.0 × 115.5 mm						
Weight (kg/piece)	0.050						
Approvals	cULus, Class I, Div. 2, Groups A,B,C,D T4						
Accessories	Colour	2-pole	3-pole	4-pole	8-pole	16-pole	PU
6 A jumper comb	red	762802	762805	762812	762822	762832	10
6 A jumper comb	white	762803	762806	762813	762823	762833	10
6 A jumper comb	blue	762804	762807	762814	762824	762834	10
Accessories	Article number	Type	PU				
USB service cable	750894	LCON ZB USB	1				
Label holder 4×11mm white	681313	BZT-0411	100				

Interface Technology · Microcompact temp./limit value switch

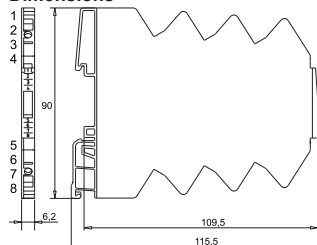
Input: PT, thermocouple, potentiometer – adjustable temperature converter

Output: Semiconductor NO contact

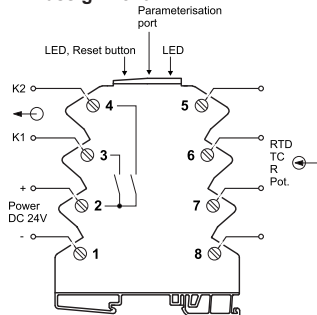
Insulation: 2.5 kV, 2-way isolation



Dimensions



PIN assignment



Description	Part-No.	Type	PU				
Screw terminal							
Nominal voltage	DC 24 V	750370	LCON TLS FDT 806210	1			
Spring terminal							
Nominal voltage	DC 24 V	751370	LCON TLS FDT 806211	1			
Input							
Measurement input	PT, poti, resistance PT100, PT1000, Potenziometer 0–100 kΩ customer specific via contact points, polynomial	Thermocouples Type B, C, E, J, K, N, R, S, T customer specific via contact points, polynomial					
Galvanic isolation I/O	2-way isolation						
Temperature range	-220... 850 °C depending on type	-210...2310 °C depending on type					
Step response (10–90%)	TE: 10 – 750 ms, PT: 5 – 750 ms (adjustable by means of filter stage 1–5, default: 200 ms – filter stage 4)						
Input characteristic impedance	-	1 MΩ					
Sensor current	0.2/0.6 mA type-dependent						
Circuit	PT - 2, 3, 4-wire, for 2-conductor with offset adjustment, no external bridges necessary, autom. detection						
Output							
Output signal	adjustable via software: FDT / DTM, connection via USB service cable						
Contact type	K1, K2 semiconductor NO contact						
Max. switching voltage	DC 30 V						
Max. switching current	DC 100 mA						
Status Indication	LED yellow K1 and LED yellow K2, not short-circuit-proof						
Operating mode	Limit value, window, alarm output / additionally adjustable: Hysteresis, input / output delay						
General							
Nominal voltage	PT, poti, resistance		Thermocouples				
Nominal voltage	DC 24 V						
Operation voltage range	16.8–30 V						
Rated current	approx. 12 mA						
Status Indication	LED green, yellow (K1, K2), red (error)						
Input/output protection	Overvoltage DC 30 V						
Accuracy	(10K: set Measurement range(K)) + 0.2% FSR		(10K: set Measurement range(K)) + 0.4% FSR				
Resolution	16-bit						
Linearity error	± 0,1 % FSR						
Temperaturcompensation intern	-		±1 K type., max. ±2 K				
Termination	Screw-/spring terminal: 0.14–1.5 mm ²						
Configuration	Software: FDT / DTM						
Temperature error	<100 ppm/K						
Data storage	Flash						
Insulation voltage input/output	AC 2.5 kV _{eff}						
Housing material	PA 6.6 (UL 94 V-0)						
Field installation	rail TS 35 (EN 50022)						
Protection class	IP 20						
Installation postition	Optional						
Operation temperature range	-40 °C – 70 °C						
Storage temperature range	-40 °C – 85 °C						
Dimensions (w × h × d)	6.2 × 90.0 × 115.5 mm						
Weight (kg/piece)	0.050						
Approvals	cULus, Class I, Div. 2, Groups A,B,C,D T4						
Accessories							
	Colour	2-pole	3-pole	4-pole	8-pole	16-pole	PU
6 A jumper comb	red	762802	762805	762812	762822	762832	10
6 A jumper comb	white	762803	762806	762813	762823	762833	10
6 A jumper comb	blue	762804	762807	762814	762824	762834	10
Accessories							
		Article number	Type	PU			
USB service cable		750894	LCON ZB USB	1			
Label holder 4×11mm white		681313	BZT-0411	100			

Interface Technology - Microcompact analogue/limit value switch

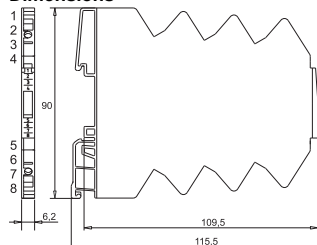
Input/output: 0–10 V, 0–20 mA, 4–20 mA, 2–10 mA, 0–5 V, 1–5 V, 2–10 V adjustable

Output: switching transistor DC 30 V/100 mA adjustable (LiveZero)

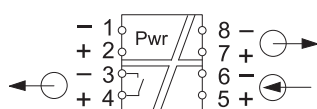
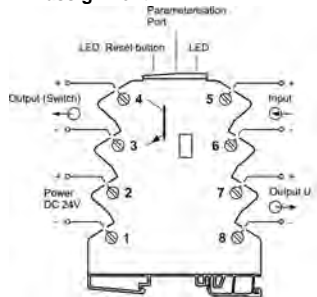
Insulation: 2.5 kV, 4-way isolation



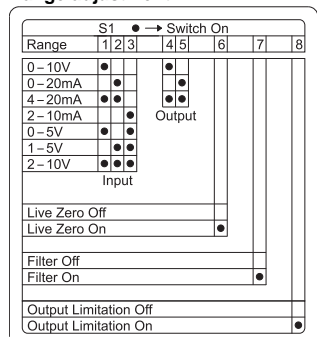
Dimensions



PIN assignment



Range adjustment



S1 1-8 off: FDT/DTM
See instruction leaflet for details

Description	Part-No.	Type	PU	
Screw terminal				
Nominal voltage	DC 24 V	750322	LCON AALS DFDT 806210	1
Spring terminal				
Nominal voltage	DC 24 V	751322	LCON AALS DFDT 806211	1

Input	0–10 V, 0–5 V, 1–5 V, 2–10 V	0–20 mA, 4–20 mA, 2–10 mA
Measurement input	0–10 V, 0–5 V, 1–5 V, 2–10 V, 0–20 mA, 4–20 mA, 2–10 mA, adjustable via software FDT/DTM, connection via micro USB	
Galvanic isolation I/O	2-way isolation	
Delay ON/OFF	5 ms – 200 ms (adjustable by means of filter stage 1–5, default: 50 ms)	
Step response (10–90%)	10 ms – 500 ms (adjustable by means of filter stage 1–5, default: 100 ms)	
Input characteristic impedance	500 kΩ	100 Ω
Zero /Span	freely adjustable	

Ausgangsseite Analog	0-10 V, 0-5 V, 1-5 V, 2-10 V	0-20 mA, 4-20 mA, 2-10 mA
Output signal	adjustable via software FDT/DTM, connection via micro USB	
Max. load impedance at I-output	-	400 Ω
Max. load impedance at U-output	>2 kΩ	-
Limitation for exceeding measurement range	yes, switchable	
max. modulation range/output current	10.5 V	21 mA
Ripple	< 20 mV _{eff}	

Ausgangsseite Schalttransistor	
Output signal	adjustable via software FDT/DTM, connection via micro USB
Contact type	Switching transistor, non short-circuit proof
Max. switching voltage	DC 30 V
Max. switching current	DC 100 mA
Status Indication	LED yellow
Operating mode	Limit value, timeframe, tendency+, tendency-, tendency+/-, inversion, error memory
LiveZero	can be activated via switch and FDT/DTM

General	
Nominal voltage	DC 24 V
Operation voltage range	16.8/30 V
Rated current	13.0 mA
Status Indication	LED green/red
Input/output protection	Overvoltage DC 30 V
Accuracy	0.1 % FSR
Resolution	16-bit
Linearity error	± 0.1 % FSR
Configuration	Software: FDT / DTM
Temperature error	<150 ppm FSR
Data storage	Flash
Insulation voltage input/output	2.5 kV _{eff}
Housing material	PA 6.6 (UL 94 V-0)
Field installation	rail TS 35 (EN 50022)
Protection class	IP 20
Installation position	Optional
Termination	screw terminal: 0.14–1.5 mm ²
Operation temperature range	-40 °C – 70 °C
Storage temperature range	-40 °C – 85 °C
Dimensions (w x h x d)	6.2 x 90.0 x 115.5 mm
Weight (kg/piece)	0.600
Approvals	-

Accessories	Colour	2-pole	3-pole	4-pole	8-pole	16-pole	PU
6 A jumper comb	red	762802	762805	762812	762822	762832	10
6 A jumper comb	white	762803	762806	762813	762823	762833	10
6 A jumper comb	blue	762804	762807	762814	762824	762834	10
Accessories		Article number			Type	PU	
Tag holder 4x11 mm	white	681313			BZT-0411		100
Insulation plate		760809			TP 7-0809		5
Laser printer labels A4 unpunched		681031			LEB-A4		1