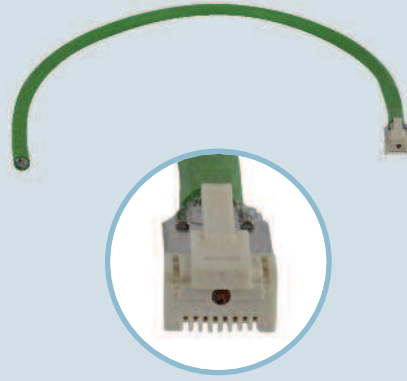
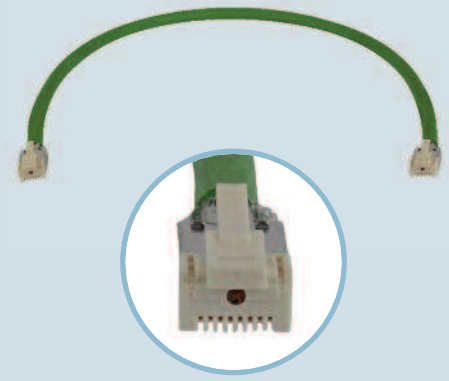


## with 1 RJ45 male connector



## with 2 RJ45 male connectors



description	with 1 RJ45 male connector		with 2 RJ45 male connectors	
	part No.	(L) metre	part No.	(L) metre
RJ45 male connector with 4 data contacts / 2 power contacts	CW 0,5 JM4/2	0.5	CW 0,5 J2M4/2	0.5
	CW 2 JM4/2	2	CW 2 J2M4/2	2
	CW 5 JM4/2	5	CW 5 J2M4/2	5
	CW 10 JM4/2	10	CW 10 J2M4/2	10
RJ45 male connector with 8 data contacts	CW 0,5 JM8	0.5	CW 0,5 J2M8	0.5
	CW 2 JM8	2	CW 2 J2M8	2
	CW 5 JM8	5	CW 5 J2M8	5
	CW 10 JM8	10	CW 10 J2M8	10
RJ45 male connector with 4 data contacts, Class 5e	CW 0,5 JM4E	0.5	CW 0,5 J2M4E	0.5
	CW 2 JM4E	2	CW 2 J2M4E	2
	CW 5 JM4E	5	CW 5 J2M4E	5
	CW 10 JM4E	10	CW 10 J2M4E	10

### RJ45 connector features:

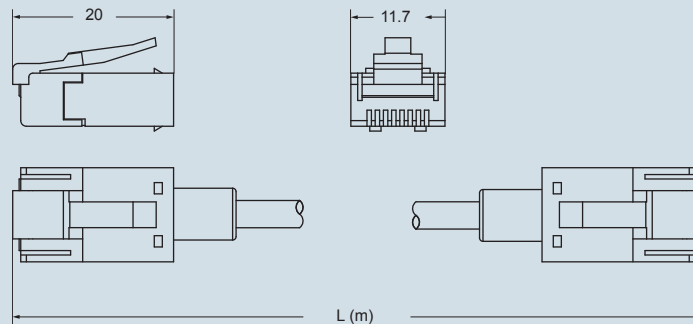
- insert RJ45, Class 5 Ethernet
- nominal current: 2.1A at 70 °C
- nominal voltage: 50V DC / 35V AC
- temperature range: from -40 °C to +120 °C
- nickel plated brass screening

### Can be used with:

- MIXO RJ45
- male inserts
- see pages 183 and 184 catalogue CN.12

dimensions in mm

### CW JM 4/2, 8, 4E and CW J2M 4/2, 8, 4E

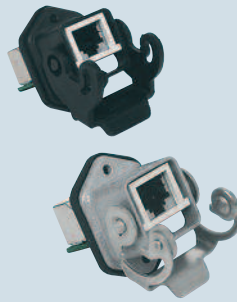


### Wiring Diagram

J2M4/2		J2M8		J2M4E	
1	1	1	1	1	1
2	2	2	2	2	2
3	3	3	3	3	3
4	4	4	4	4	4
5	5	5	5	5	5
6	6	6	6	6	6
7	7	7	7	7	7
8	8	8	8	8	8
A	A	A	A	A	A
B	B	B	B	B	B
VS	VS	VS	VS	VS	VS

- IP65 / IP67 degree of protection (EN 60529)
- insert RJ45, Class 5 Ethernet
- rated current: 2.1A at 70 °C
- rated voltage: 50V DC / 35V AC
- temperature limit: -40 °C, +120 °C
- nickel-plated brass screening
- insert code pin: CR KC
- self-extinguishing: UL 94V-0
- insulating enclosures in black self-extinguishing thermoplastic material
- hoods with cable gland
- female insert with two connected entries

## IP65 / IP67 connector in bulkhead housing, female inserts

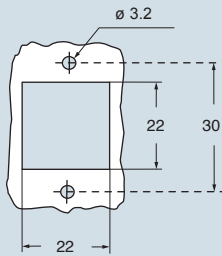


## patch cord with 2 RJ45 connectors male inserts

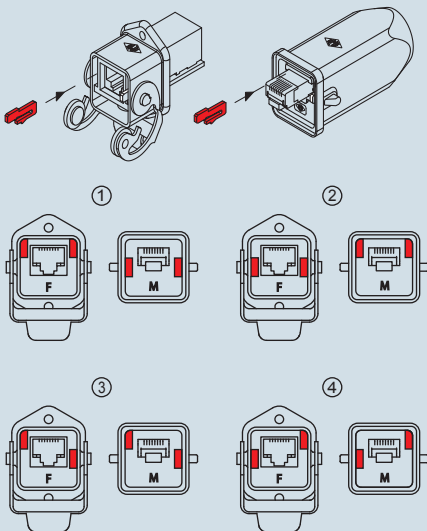


description	part No.	part No.	(L) metre
connector in insulating enclosure and insert with 8 data contacts	<b>CJZ 8 IN</b>		
connector in metal enclosure and insert with 8 data contacts	<b>CJZA 8 I</b>		
RJ45 connector 8 data contacts, in insulating enclosure		<b>CWK 2 J2M8</b>	2
		<b>CWK 5 J2M8</b>	5
		<b>CWK 10 J2M8</b>	10
RJ45 connector 8 data contacts, in metal enclosure		<b>CWKA 2 J2M8</b>	2
		<b>CWKA 5 J2M8</b>	5
		<b>CWKA 10 J2M8</b>	10

panel cut-out for bulkhead mounting housings in mm



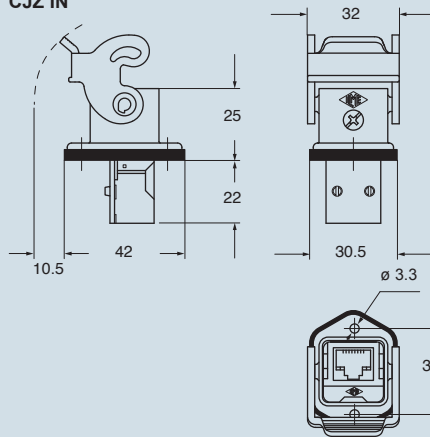
CR KC code pins



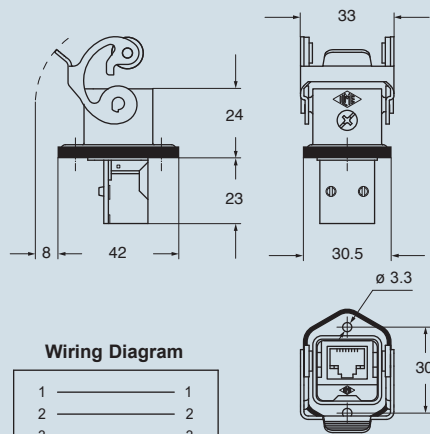
dimensions shown are not binding  
and may be changed without notice

dimensions in mm

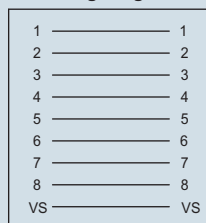
### CJZ IN



### CJZA I

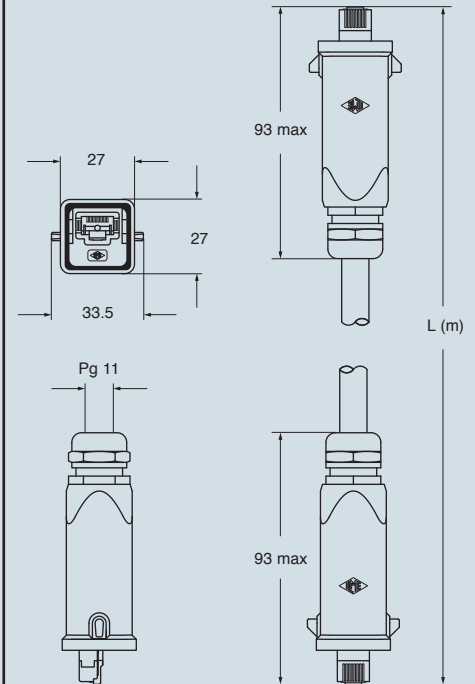


### Wiring Diagram



dimensions in mm

### CWK J2M8 and CWKA J2M8



### Wiring Diagram

