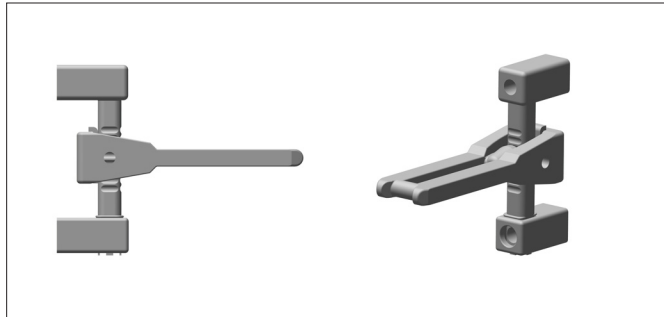


Actuators

**proAT Tongue**



**proAT Tongue**

- Used in conjunction with proAT Head
- Heavy duty tongue unit.
- Ideal for fast, frequent access.
- Operating radius:- 900mm
- 3 position fixing at 90° increments.
- Misalignment tolerance of +/- 12mm.
- 12mm Overtravel allowance.

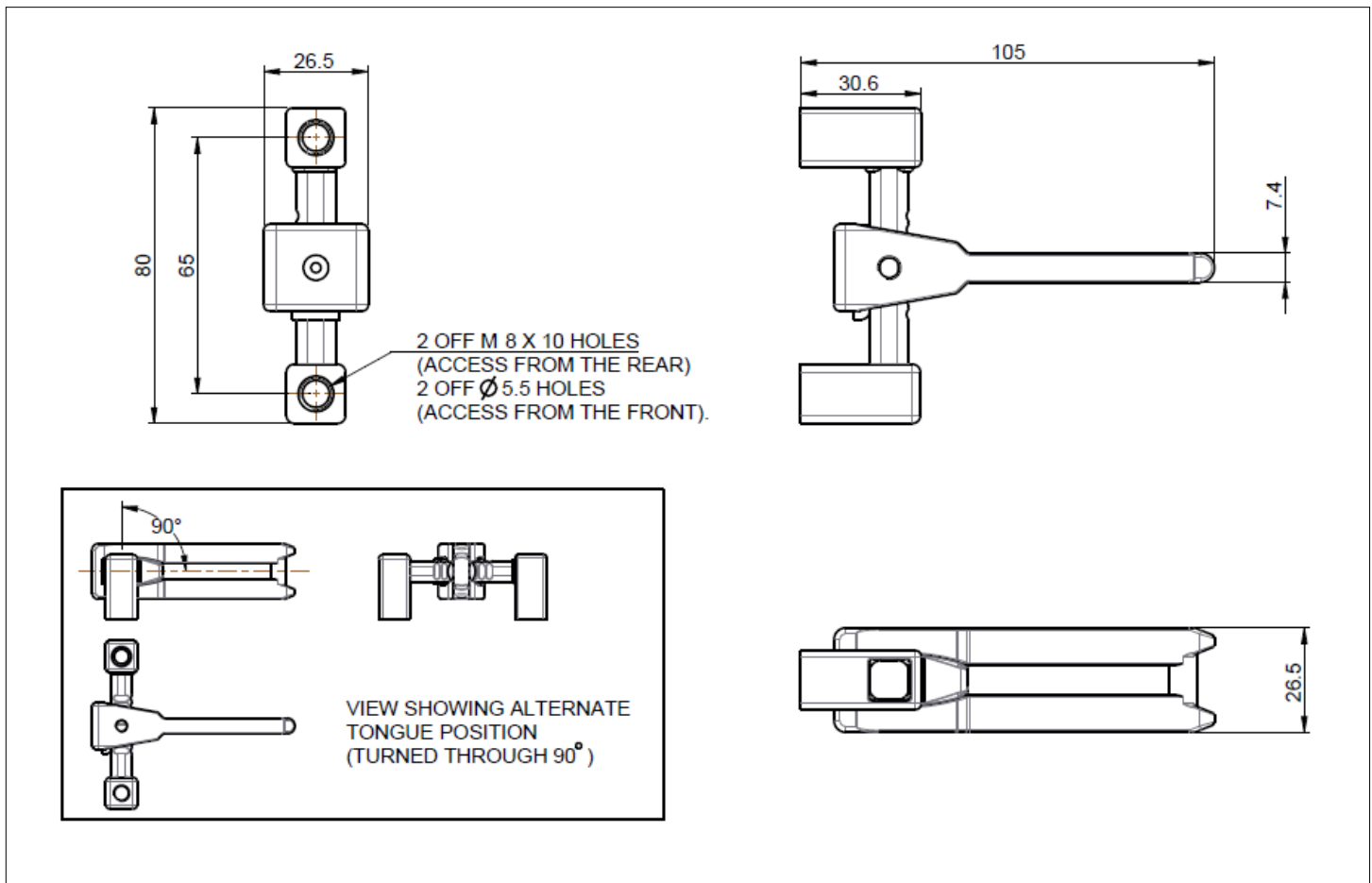
proAT Tongue Technical Specification	
Materials	Stainless Steel to BS3146
Operating Force	5N
Retention Force Locked	10,000N
Mechanical Life	>1,000,000 Switching Cycles
Performance Level	PLe
B10d	5,000,000
Ambient Temperature	-5°C to 80°C (23°F to 176°F)

proAT Tongue Options	
Part Number	Description
TA1	AT Tongue Front Handing
TA2	AT Tongue Left Handing
TA3	AT Tongue Back Handing
TA4	AT Tongue Right Handing

proAT Tongue Ordering Information	
Part No.	Item No.
TA1	ITM-00038780
TA2	ITM-00038806
TA3	ITM-00038807
TA4	ITM-00038808

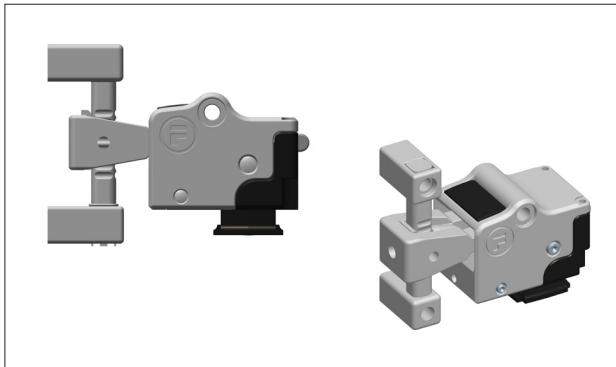
\* Item No. or Part No. can be quoted for quotation and ordering purposes.

Dimensional Drawing



Head Modules

proAT Head & Tongue Actuator



Images above show a TA2T6 (left handed)

proAT Head & Tongue Actuator

- Heavy duty tongue unit.
- Ideal for fast, frequent access.
- 4 position fixing at 90° increments allowing on site handing change.
- Misalignment tolerance of +/- 12mm.
- 12mm Overtravel allowance.
- Retention force 10,000N when top fixing is used.
- Can be fitted with lock-out devices for additional safety.
- Mounted upside down it is self cleaning, ideal for dusty environments.

proAT Head & Tongue Technical Specification	
Housing Materials	Zinc Alloy to BSEN12844 Stainless Steel to BS3146
Paint Finish	Gloss powder coat on passivated zinc alloy
Colour	Black and Stainless Steel
Retention Force (locked)	10,000N
Mechanical Life	>1,000,000 Switching Cycles
Performance Level	PLe
B10d	5,000,000
Ambient Temperature	-5°C to 80°C (23°F to 176°F)

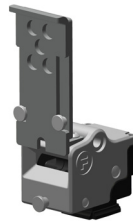
proAT Head Options & Ordering Information		
Part Number	Item No.	Description
T6	ITM-00038819	proAT Head
T7	ITM-00038824	proAT Head c/w Drop Down Lockout
T8	ITM-00038830	proAT Head c/w ATL Lock-Out Clip

\* The Item No. or Part No. can be quoted for quotation and ordering purposes

proAT Tongue Options & Ordering Information		
Part No.	Item No.	Item No.
TA1	AT Tongue Front Handing	ITM-00038780
TA2	AT Tongue Left Handing	ITM-00038806
TA3	AT Tongue Back Handing	ITM-00038807
TA4	AT Tongue Right Handing	ITM-00038808

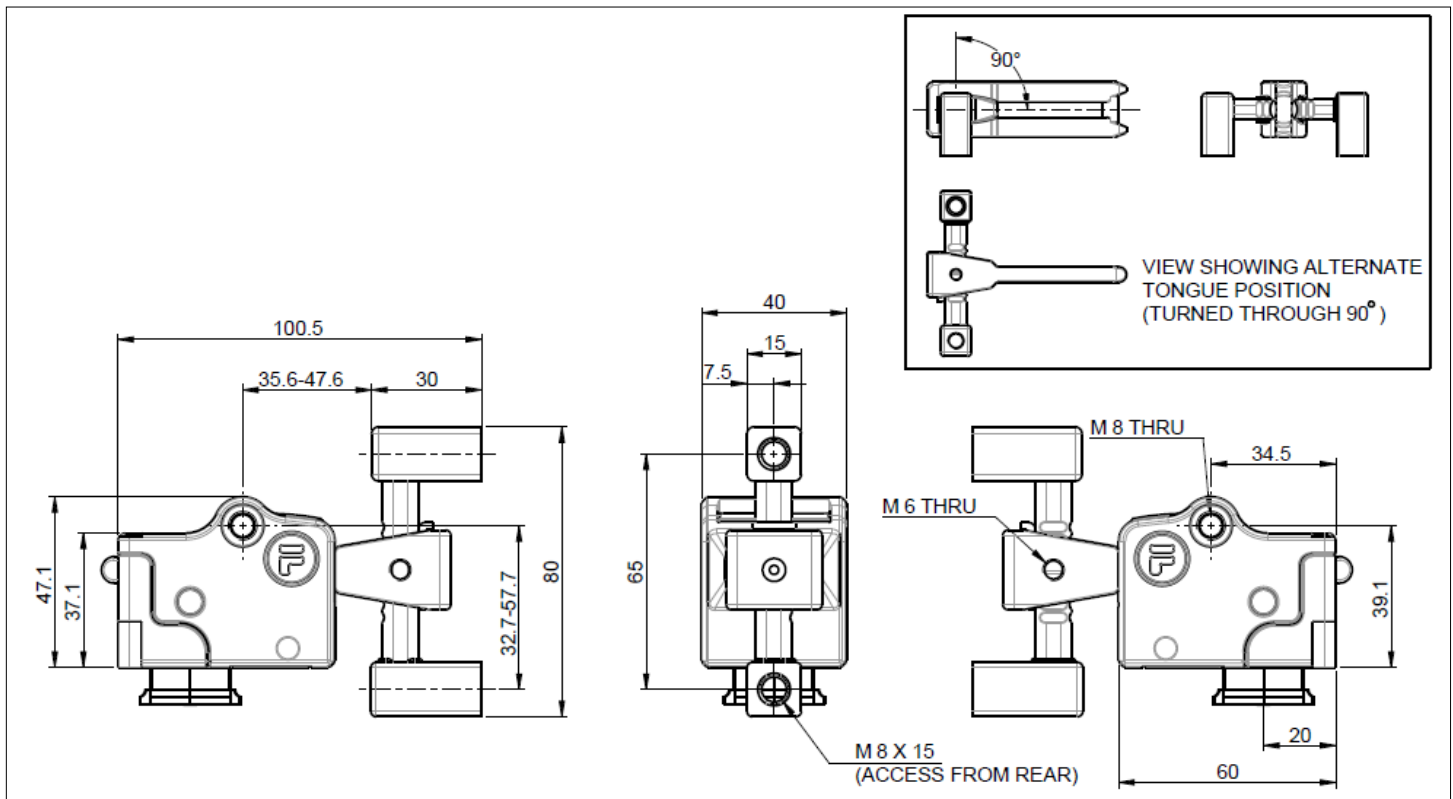
\* The Item No. or Part No. can be quoted for quotation and ordering purposes

proAT Head  
c/w Drop Down  
Lockout



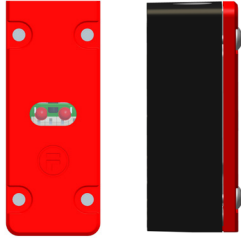
ATL Lock-Out Clip

Dimensional Drawing



Electrical Switching / Locking

**proStop - Non Solenoid Switch Body - Standard**



Depressing the plunger breaks the dual safety circuits to shut down the motive power to the machine

**proStop - Standard**

Depressing the plunger breaks the dual safety circuits to shut down the motive power to the machine and makes the monitoring circuit.

- Ideal for quick access to machines with no or short run-down cycles
- LED indicators for status identification
- To be used with safety relay and/or safety PLC control systems
- European, Canadian and North American Approvals

**proStop - Standard Ordering Information**

Version	Control Voltage	Part No.	Item No.
Standard	24V AC/DC	ST401	ITM-00039387
Standard	110V AC	ST101	ITM-00039383
Standard	230V AC	ST201	ITM-00039386

\* Sourcing output supplied as standard, Sinking option available on request.  
\* The Item No. or Part No. can be quoted for quotation and ordering purposes

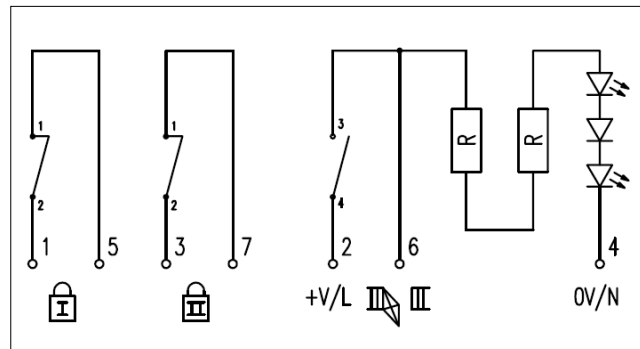
Approvals



**proStop Technical Specification**

Housing Materials	Zinc Alloy to BSEN12844
Paint Finishes	Gloss Powder Coat on Passivated Base Material
Ingress Protection	IP67
Mechanical Life	>1,000,000 Switching Cycles
Performance Level	PLe
B10d	5,000,000
Ambient Temperature	-5°C to + 60°C (23°F to 140°F)
Maximum Frequency of Ops	7,200 per hour
Connector Type	Spring Activated Vibration Proof Block
Switches Conformance	DIN VDE 0060 Part 206 & IEC 947-5-1
Switching Contact Element	2NC and 1NO
Safety Circuit Switching Principal	Positive Break (2NC) Dual Channel
Maximum Switch Current	3A
Minimum Switch Current	1mA at 5VDC
Maximum Switching Voltage	230V AC Max
Utilisation Category	AC 15 or DC 13
Control Voltages	24V ac/dc, 110V ac, 230V ac
Insulating Voltage	2500V AC
Insulating Resistance	20M Ohm
Cable Size	28 - 24 AWG
B10d	5,000,000
DC	99%
$\lambda_s$	10%
Diagnostic Coverage	Position Monitoring
Environment	Indoor & Outdoor

**Wiring Diagram - proStop**



**Safety Functions - proStop**

Safety Function 1	Part No
Turns mechanical movement of head / lock into operation of safety contacts	ST

NOTICE!  
If, as a result of risk assessment, it cannot be discounted that persons can be enclosed within a danger zone, then guard locks with additional removable keys (safety keys) must be used or comparable measures must be taken - GS ET 19.

**Dimensional Drawing**

