

Adaptor CLK 04 SC

The new adaptor **CLK 04 SC** enables use of **fibre optic SC contacts**, up to 4 SC contacts per connector, for indoor or outdoor heavy duty industrial applications, with ILME connector enclosures size "21.21" series **CKA** (IP66/IP67, metallic, both C-Type, grey-painted, for normal environments, and W-TYPE black-painted, for aggressive environments, only the hood models provided with sealing gasket), series **CGK/ MGK** (IP66/IP68, metallic, either Pg or metric-threaded cable outlet) and series **CK** (IP66/IP67, insulating, only the hood models provided with sealing gasket).

The **fibre optic SC contacts** (genderless, to be purchased separately) are available both for multi-mode fibres (50/125 µm or 62,5/125 µm) and single-mode fibre (9/125 µm).

The fibre optic SC contacts are also available for the hard-clad silica (HCS) or polymer-clad fibre (PCF) 200/230 µm fibre optic cables and for the less demanding, with shorter transmission distance covered, but more cost effective POF Ø 1 mm applications, available with crimp technique version (crimping tool required).

NOTE

Due to the higher skill and training required to produce an effectively performing fibre optic junction for a single-mode type fibre-optic cable than for a multi-mode one, dedicated contacts for single-mode are available only upon request. Contact our Commercial Department for a quotation. It is more practical in such case to equip the CLK 04 SC adaptor with ready-to-use fibre optic patch cords.

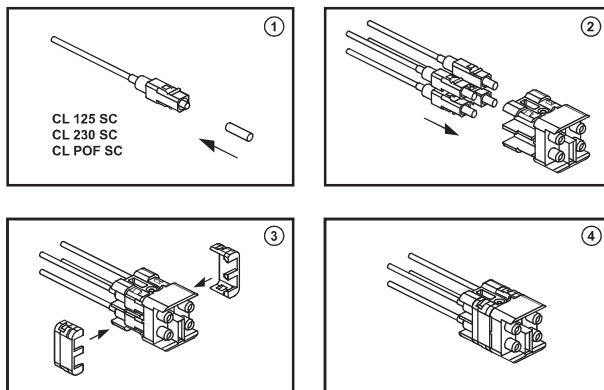
Quick assembly technique version (tool-less) for POF Ø 1 mm cables are also available only upon request, please send inquiry to our Commercial Department.

The female adaptor inserts are provided with 4 **ceramic** (zirconia) type **split alignment sleeves**, for minimal insertion loss (e.g. critical network connections) and best suitable for single-mode F/O cable connections.

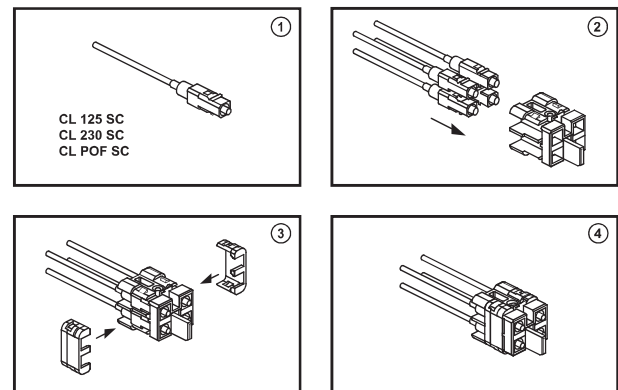
As optional accessory, **metallic** (phosphor bronze) **split alignment sleeves** are also available for more durable (less prone to cracking) applications, but less demanding precision alignment, thus most suitable for multi-mode fibre applications.

Part No. of adaptor inserts		CLK 04 SC
No. of seats/poles	seats for optical contacts	2
ambient temperature limit (°C)	min	-40
	max	+70
degree of protection	with enclosures (according to type)	IP66/IP67, IP66/IP68, IP69K
conductor connections		crimp
mechanical endurance (rating cycles)		≥ 500
self-extinguishing capacity UL 94		V0

FEMALE



MALE



enclosures:
size "21.21" page:

insulating type
(CK IN, CKG/MKG VN) 9-10

metallic type
(CKAX I, CKAG/MKAG V) 11-12

IP68
(CGK I, CGK/MGK IAP, CGK/MGK V) 372 - 373 *

* refer to catalogue page CN.12

**adaptor insert for SC connectors
ceramic ferrule**

NEW



**AVAILABLE
3rd QUARTER 2013**

crimp contacts

NEW



**AVAILABLE
3rd QUARTER 2013**

description	part No.	part No.
-------------	----------	----------

adaptor insert with seats for 4 SC contacts
- female insert, with ceramic ferrule
- female insert, with metallic ferrule
- male insert, with ceramic ferrule

CLK 04 SCF
CLK 04 SCF-H
CLK 04 SCM

CL 125 SC
CL POF SC

SC contact for GI FIBRE 50/125 µm or 62.5/125 µm
SC contact for 1 mm POF

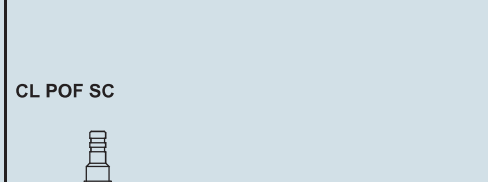
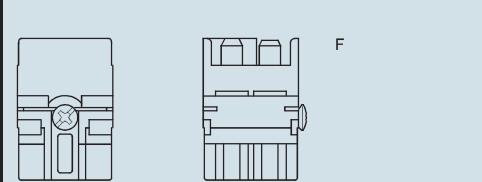
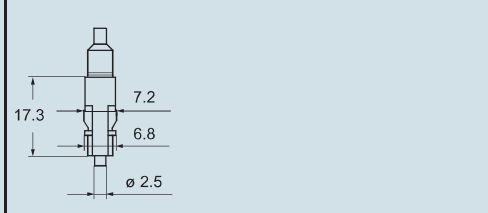
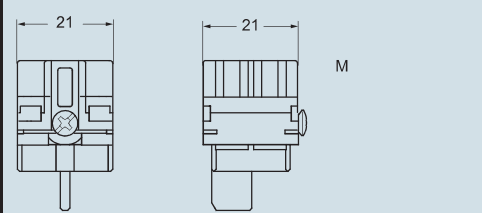
dimensions in mm

dimensions in mm

- adaptor insert fitted with fixing screw and gasket, suitable for installation in enclosures (see pages 372, 373, 460, 461 catalogue CN.12)
- adaptor insert designed to be used with SC connectors
- SC contact for SI FIBRE (HCS®) 200/230 µm (on request)
- patch cord (on request)

CLK 04 SCF, CLK 04 SCM

CL 125 SC



- pliers for crimp contacts SC (on request). If this application is required, please contact ILME SpA.

contacts side (front view)



dimensions shown are not binding and may be changed without notice