

PEW...SM wall-mounting plugs, low voltage from over 50V up to 690V



16A
IP67 degree of protection



32A
IP67 degree of protection



63A
IP67 degree of protection



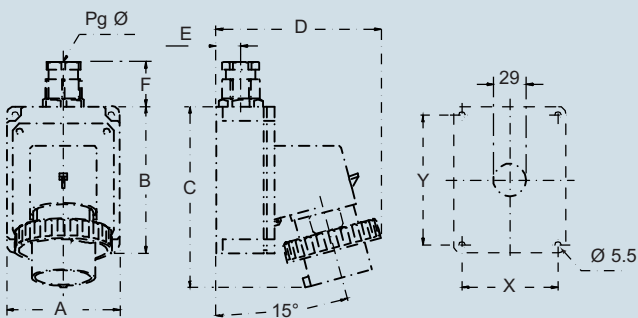
125A
IP67 degree of protection



Part No.	Colour	Part No.	Colour	Part No.	Colour	Part No.	Colour
PEW 1643 SM ⊕	Yellow	PEW 3243 SM ⊕	Yellow	PEW 6343 SM ⊕	Yellow	PEW 12543 SM ⊕	Yellow
PEW 1663 SM ⊕	Blue	PEW 3263 SM ⊕	Blue	PEW 6363 SM ⊕	Blue	PEW 12563 SM ⊕	Blue
PEW 1693 SM ⊕	Red	PEW 3293 SM ⊕	Red	PEW 6393 SM ⊕	Red	PEW 12593 SM ⊕	Red
PEW 1673 SM ⊕	Black	PEW 3273 SM ⊕	Black	PEW 6373 SM ⊕	Black	PEW 12573 SM ⊕	Black
PEW 16123 SM ⊕	A.V.	PEW 32123 SM ⊕	A.V.	PEW 63123 SM ⊕	A.V.	PEW 125123 SM ⊕	A.V.
PEW 1623 SM ⊕	Green	PEW 3223 SM ⊕	Green				
PEW 1633 SM ⊕	A.V.	PEW 3233 SM	A.V.	PEW 6333 SM	A.V.	PEW 12533 SM	A.V.
PEW 1683 SM	A.V.	PEW 3283 SM	A.V.	PEW 6383 SM	A.V.	PEW 12583 SM	A.V.
PEW 1644 SM ⊕	Yellow	PEW 3244 SM ⊕	Yellow	PEW 6344 SM ⊕	Yellow	PEW 12544 SM ⊕	Yellow
PEW 1694 SM ⊕	Blue	PEW 3294 SM ⊕	Blue	PEW 6394 SM ⊕	Blue	PEW 12594 SM ⊕	Blue
PEW 1664 SM ⊕	Red	PEW 3264 SM ⊕	Red	PEW 6364 SM ⊕	Red	PEW 12564 SM ⊕	Red
PEW 16114 SM ⊕	Red	PEW 32114 SM ⊕	Red	PEW 63114 SM ⊕	Red	PEW 125114 SM ⊕	Red
PEW 1674 SM ⊕	Black	PEW 3274 SM ⊕	Black	PEW 6374 SM ⊕	Black	PEW 12574 SM ⊕	Black
PEW 1654 SM	Black	PEW 3254 SM	Black	PEW 6354 SM	Black	PEW 12554 SM	Black
PEW 1634 SM ⊕	Red	PEW 3234 SM ⊕	Red				
PEW 1634 SM ⊕	Red	PEW 3234 SM ⊕	Red				
PEW 16104 SM ⊕	Green	PEW 32104 SM ⊕	Green				
PEW 1624 SM ⊕	Green	PEW 3224 SM ⊕	Green				
PEW 1645 SM ⊕	Yellow	PEW 3245 SM ⊕	Yellow	PEW 6345 SM ⊕	Yellow	PEW 12545 SM ⊕	Yellow
PEW 1695 SM ⊕	Blue	PEW 3295 SM ⊕	Blue	PEW 6395 SM ⊕	Blue	PEW 12595 SM ⊕	Blue
PEW 1665 SM ⊕	Red	PEW 3265 SM ⊕	Red	PEW 6365 SM ⊕	Red	PEW 12565 SM ⊕	Red
PEW 1675 SM ⊕	Black	PEW 3275 SM ⊕	Black	PEW 6375 SM ⊕	Black	PEW 12575 SM ⊕	Black
PEW 1655 SM	Black	PEW 3255 SM	Black	PEW 6355 SM	Black	PEW 12555 SM	Black
PEW 16115 SM ⊕	Red	PEW 32115 SM ⊕	Red	PEW 63115 SM ⊕	Red	PEW 125115 SM ⊕	Red
PEW 1635 SM ⊕	Red	PEW 3235 SM ⊕	Red				
PEW 1635 SM ⊕	Red	PEW 3235 SM ⊕	Red				
PEW 1625 SM ⊕	Green	PEW 3225 SM ⊕	Green				

dimensions in mm

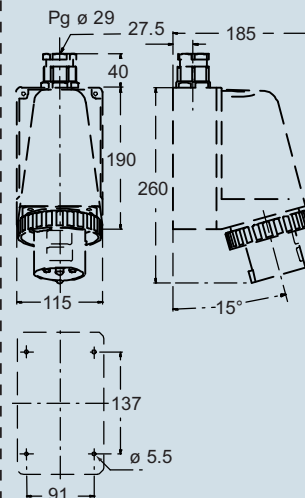
(16 / 32A) PEW ... SM



PEW...SM	A	B	C	D	E	F	X	Y	Pg ø
16A 2P+⊕	75	115	144	126	19	35	65	105	16
3P+⊕	75	115	144	134	19	35	65	105	16
3P+N+⊕	100	130	164	145	22	42	85	115	21
32A 2P+⊕	100	130	178	154	22	42	85	115	21
3P+⊕	100	130	178	154	22	42	85	115	21
3P+N+⊕	100	130	178	160	22	42	85	115	21

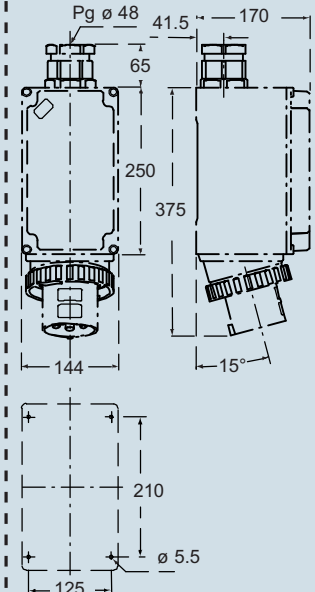
dimensions in mm

(63A) PEW ... SM



dimensions in mm

(125A) PEW ... SM



- Compliant with EN 60309-1 and -2
- Enclosure, insert and spring lid in insulating, thermoplastic, self-extinguishing material
- RAL 7035 grey enclosure, spring lid colour coded according to the operating voltage
- PE...PP types (IP44), spring lid, entry with threaded grommet (replaceable with a cable gland)
- PEW...PP types (IP67), spring lid with locking ring and gasket, entry with cable gland
- Terminals with retained screws
- 63A, 125A: with pilot contact
- Nickel-plated contacts, available on request for 16A and 32A (standard on 63A and 125A). For the code of products with nickel-plated contacts (socket holes, plug pins), add "N" to the pre-code of the corresponding standard product code; for example: PE becomes PEN and PEW becomes PEWN.
- 125A: with terminal block for the anchoring of incoming cables, already connected to socket
- IP44 and IP67 degrees of protection (EN 60529)
- ® with Italian Quality Mark

16A
IP44 degree of protection



32A
IP44 degree of protection



Number of poles	Frequency Hz	Voltage V	Earthing contact position h	Part No.	Colour	Part No.	Colour
2P+⊕	50 and 60	100 - 130	4	PE 1643 PP ®	Yellow	PE 3243 PP ®	Yellow
	50 and 60	200 - 250	6	PE 1663 PP ®	Blue	PE 3263 PP ®	Blue
	50 and 60	380 - 415	9	PE 1693 PP ®	Red	PE 3293 PP ®	Red
	50 and 60	480 - 500	7	PE 1673 PP ®	Black	PE 3273 PP ®	Black
	50 and 60	ins. transformer	12	PE 16123 PP ®	A.V.	PE 32123 PP ®	A.V.
	> 300 - 500	> 50	2	PE 1623 PP ®	Green	PE 3223 PP ®	Green
	d.c.	> 50 - 250	3	PE 1633 PP ®	A.V.	PE 3233 PP ®	A.V.
	d.c.	> 250	8	PE 1683 PP	A.V.	PE 3283 PP	A.V.
3P+⊕	50 and 60	100 - 130	4	PE 1644 PP ®	Yellow	PE 3244 PP ®	Yellow
	50 and 60	200 - 250	9	PE 1694 PP ®	Blue	PE 3294 PP ®	Blue
	50 and 60	380 - 415	6	PE 1664 PP ®	Red	PE 3264 PP ®	Red
	60	440 - 460	11	PE 16114 PP ®	Red	PE 32114 PP ®	Red
	50 and 60	480 - 500	7	PE 1674 PP ®	Black	PE 3274 PP ®	Black
	50 and 60	600 - 690	5	PE 1654 PP	Black	PE 3254 PP	Black
	50	380	3	PE 1634 PP ®	Red	PE 3234 PP ®	Red
	60	440	3	PE 1634 PP ®	Red	PE 3234 PP ®	Red
	100 - 300	> 50	10	PE 16104 PP ®	Green	PE 32104 PP ®	Green
	> 300 - 500	> 50	2	PE 1624 PP ®	Green	PE 3224 PP ®	Green
3P+N+⊕	50 and 60	57/100 - 75/130	4	PE 1645 PP ®	Yellow	PE 3245 PP ®	Yellow
	50 and 60	120/208 - 144/250	9	PE 1695 PP ®	Blue	PE 3295 PP ®	Blue
	50 and 60	200/346 - 240/415	6	PE 1665 PP ®	Red	PE 3265 PP ®	Red
	50 and 60	277/480 - 288/500	7	PE 1675 PP ®	Black	PE 3275 PP ®	Black
	50 and 60	347/600 - 400/690	5	PE 1655 PP	Black	PE 3255 PP	Black
	60	250/400 - 265/460	11	PE 16115 PP ®	Red	PE 32115 PP ®	Red
	50	220/380	3	PE 1635 PP ®	Red	PE 3235 PP ®	Red
	60	250/440	3	PE 1635 PP ®	Red	PE 3235 PP ®	Red
	> 300 - 500	> 50	2	PE 1625 PP ®	Green	PE 3225 PP ®	Green

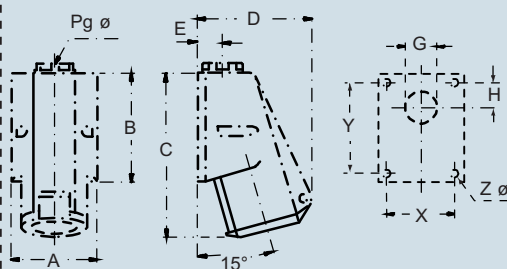
Legend

A.V. = Colour according to voltage

(*) Green may be used together with the colour of the operating range for frequencies above 60 Hz and up to a maximum of 500 Hz.

dimensions in mm

(16 / 32A) PE ... PP



PE ... PP	A	B	C	D	E	G	H	X	Y	Pg ø	Z ø	
16A	2P+⊕	70	82	126	92	20	Ø22	16	53	65	16	4.5
	3P+⊕	70	82	126	92	20	Ø22	16	53	65	16	4.5
	3P+N+⊕	70	82	126	99	13	Ø22	16	53	65	16	4.5
32A	2P+⊕	86	104	159	110	24	Ø28	17	61	79	21	6.5
	3P+⊕	86	104	159	110	24	Ø28	17	61	79	21	6.5
	3P+N+⊕	86	104	159	110	24	Ø28	17	61	79	21	6.5

dimensions shown are not binding and may be changed without notice

PEW...PP wall-mounting socket-outlets, low voltage from over 50V up to 690V



16A
IP67 degree of protection



32A
IP67 degree of protection



63A
IP67 degree of protection



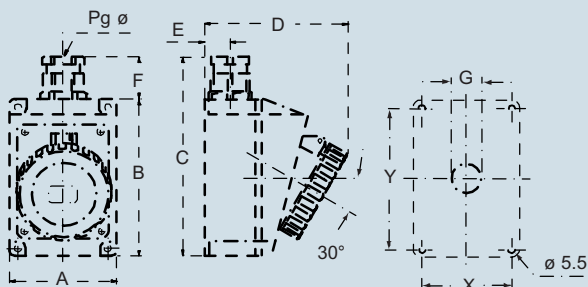
125A
IP67 degree of protection



Part No.	Colour	Part No.	Colour	Part No.	Colour	Part No.	Colour
PEW 1643 PP ☉	Yellow	PEW 3243 PP ☉	Yellow	PEW 6343 PP ☉	Yellow	PEW 12543 PP ☉	Yellow
PEW 1663 PP ☉	Blue	PEW 3263 PP ☉	Blue	PEW 6363 PP ☉	Blue	PEW 12563 PP ☉	Blue
PEW 1693 PP ☉	Red	PEW 3293 PP ☉	Red	PEW 6393 PP ☉	Red	PEW 12593 PP ☉	Red
PEW 1673 PP ☉	Black	PEW 3273 PP ☉	Black	PEW 6373 PP ☉	Black	PEW 12573 PP ☉	Black
PEW 16123 PP ☉	A.V.	PEW 32123 PP ☉	A.V.	PEW 63123 PP ☉	A.V.	PEW 125123 PP ☉	A.V.
PEW 1623 PP ☉	Green	PEW 3223 PP ☉	Green				
PEW 1633 PP ☉	A.V.	PEW 3233 PP	A.V.	PEW 6333 PP	A.V.	PEW 12533 PP	A.V.
PEW 1683 PP	A.V.	PEW 3283 PP	A.V.	PEW 6383 PP	A.V.	PEW 12583 PP	A.V.
PEW 1644 PP ☉	Yellow	PEW 3244 PP ☉	Yellow	PEW 6344 PP ☉	Yellow	PEW 12544 PP ☉	Yellow
PEW 1694 PP ☉	Blue	PEW 3294 PP ☉	Blue	PEW 6394 PP ☉	Blue	PEW 12594 PP ☉	Blue
PEW 1664 PP ☉	Red	PEW 3264 PP ☉	Red	PEW 6364 PP ☉	Red	PEW 12564 PP ☉	Red
PEW 16114 PP ☉	Red	PEW 32114 PP ☉	Red	PEW 63114 PP ☉	Red	PEW 125114 PP ☉	Red
PEW 1674 PP ☉	Black	PEW 3274 PP ☉	Black	PEW 6374 PP ☉	Black	PEW 12574 PP ☉	Black
PEW 1654 PP	Black	PEW 3254 PP	Black	PEW 6354 PP	Black	PEW 12554 PP	Black
PEW 1634 PP ☉	Red	PEW 3234 PP ☉	Red				
PEW 1634 PP ☉	Red	PEW 3234 PP ☉	Red				
PEW 16104 PP ☉	Green	PEW 32104 PP ☉	Green				
PEW 1624 PP ☉	Green	PEW 3224 PP ☉	Green				
PEW 1645 PP ☉	Yellow	PEW 3245 PP ☉	Yellow	PEW 6345 PP ☉	Yellow	PEW 12545 PP ☉	Yellow
PEW 1695 PP ☉	Blue	PEW 3295 PP ☉	Blue	PEW 6395 PP ☉	Blue	PEW 12595 PP ☉	Blue
PEW 1665 PP ☉	Red	PEW 3265 PP ☉	Red	PEW 6365 PP ☉	Red	PEW 12565 PP ☉	Red
PEW 1675 PP ☉	Black	PEW 3275 PP ☉	Black	PEW 6375 PP ☉	Black	PEW 12575 PP ☉	Black
PEW 1655 PP	Black	PEW 3255 PP	Black	PEW 6355 PP	Black	PEW 12555 PP	Black
PEW 16115 PP ☉	Red	PEW 32115 PP ☉	Red	PEW 63115 PP ☉	Red	PEW 125115 PP ☉	Red
PEW 1635 PP ☉	Red	PEW 3235 PP ☉	Red				
PEW 1635 PP ☉	Red	PEW 3235 PP ☉	Red				
PEW 1625 PP ☉	Green	PEW 3225 PP ☉	Green				

dimensions in mm

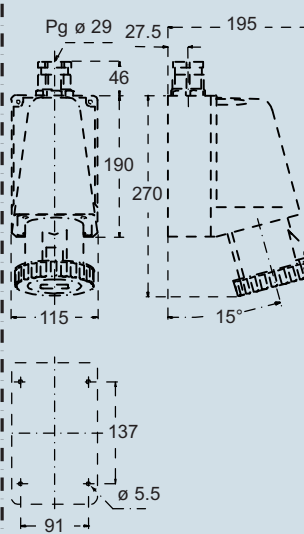
(16 / 32A) PEW ... PP



PEW ... PP	A	B	C	D	E	F	G	X	Y	Pg ø
16A 2P+☉	75	115	150	105	19	33	Ø22	65	105	16
3P+☉	75	115	150	108	19	33	Ø22	65	105	16
3P+N+☉	100	130	172	120	22	33	Ø22	85	115	21
32A 2P+☉	100	130	172	120	22	42	Ø28	85	115	21
3P+☉	100	130	172	120	22	42	Ø28	85	115	21
3P+N+☉	100	130	172	120	22	42	Ø28	85	115	21

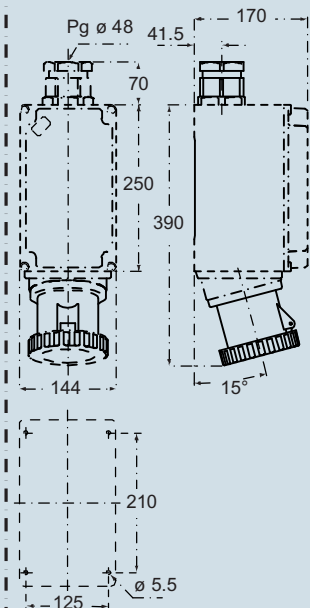
dimensions in mm

(63A) PEW ... PP



dimensions in mm

(125A) PEW ... PP



PE...SI flush-mounting plugs, low voltage from over 50V up to 690V



- Compliant with EN 60309-1 and -2
- Enclosure, insert and locking ring in insulating, thermoplastic, self-extinguishing material
- Flange with anti-ageing gasket
- PE...SI types (IP44), RAL 7035 grey enclosure, plug mouth colour coded according to the operating voltage
- PEW...SI (IP67) types, RAL 7035 grey enclosure, locking ring with gasket colour coded according to the operating voltage
- Terminals with retained screws
- 63A, 125A: with pilot contact
- Nickel-plated contacts, available on request for 16A and 32A (standard on 63A and 125A). For the code of products with nickel-plated contacts (socket holes, plug pins), add "N" to the pre-code of the corresponding standard product code; for example: PE becomes PEN and PEW becomes PEWN.
- IP44 and IP67 degrees of protection (EN 60529)
- with Italian Quality Mark

Legend

A.V. = Colour according to voltage

(*) Green may be used together with the colour of the operating range for frequencies above 60 Hz and up to a maximum of 500 Hz.

16A IP44 degree of protection



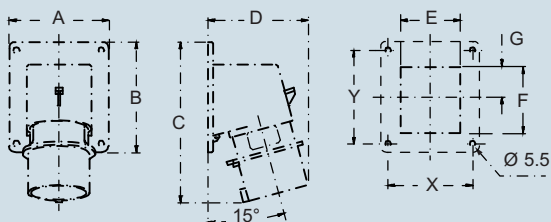
32A IP44 degree of protection



Number of poles	Frequency Hz	Voltage V	Earthing contact position h	Part No.	Colour	Part No.	Colour	
2P+⊕	50 and 60	100 - 130	4	PE 1643 SI		PE 3243 SI		
	50 and 60	200 - 250	6	PE 1663 SI		PE 3263 SI		
	50 and 60	380 - 415	9	PE 1693 SI		PE 3293 SI		
	50 and 60	480 - 500	7	PE 1673 SI		PE 3273 SI		
	50 and 60	ins. transformer	12	PE 16123 SI		PE 32123 SI		
	> 300 - 500	> 50	2	PE 1623 SI		PE 3223 SI		
	d.c.	> 50 - 250	3	PE 1633 SI		PE 3233 SI		
	d.c.	> 250	8	PE 1683 SI		PE 3283 SI		
3P+⊕	50 and 60	100 - 130	4	PE 1644 SI		PE 3244 SI		
	50 and 60	200 - 250	9	PE 1694 SI		PE 3294 SI		
	50 and 60	380 - 415	6	PE 1664 SI		PE 3264 SI		
	60	440 - 460	11	PE 16114 SI		PE 32114 SI		
	50 and 60	480 - 500	7	PE 1674 SI		PE 3274 SI		
	50 and 60	600 - 690	5	PE 1654 SI		PE 3254 SI		
	50	380	3	PE 1634 SI		PE 3234 SI		
	60	440	3	PE 1634 SI		PE 3234 SI		
	100 - 300	> 50	10	PE 16104 SI		PE 32104 SI		
	> 300 - 500	> 50	2	PE 1624 SI		PE 3224 SI		
	3P+N+⊕	50 and 60	57/100 - 75/130	4	PE 1645 SI		PE 3245 SI	
		50 and 60	120/208 - 144/250	9	PE 1695 SI		PE 3295 SI	
50 and 60		200/346 - 240/415	6	PE 1665 SI		PE 3265 SI		
50 and 60		277/480 - 288/500	7	PE 1675 SI		PE 3275 SI		
50 and 60		347/600 - 400/690	5	PE 1655 SI		PE 3255 SI		
60		250/440 - 265/460	11	PE 16115 SI		PE 32115 SI		
50		220/380	3	PE 1635 SI		PE 3235 SI		
60		250/440	3	PE 1635 SI		PE 3235 SI		
> 300 - 500		> 50	2	PE 1625 SI		PE 3225 SI		

dimensions in mm

(16 / 32A) PE ... SI



PE...SI	A	B	C	D	E	F	G	X	Y	
16A	2P+⊕	65	82	126	81	41	43	21.5	52	60
	3P+⊕	65	82	126	81	47	43	21.5	52	60
	3P+N+⊕	90	100	146	93	54	60	27.5	77	85
32A	2P+⊕	90	100	160	101	55	60	27.5	77	85
	3P+⊕	90	100	160	101	55	60	27.5	77	85
	3P+N+⊕	90	100	160	106	62	60	27.5	77	85



dimensions shown are not binding and may be changed without notice

PEW...SI flush-mounting plugs, low voltage from over 50V up to 690V



16A
IP67 degree of protection



32A
IP67 degree of protection



63A
IP67 degree of protection



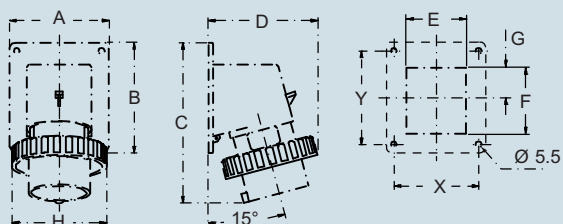
125A
IP67 degree of protection



Part No.	Colour	Part No.	Colour	Part No.	Colour	Part No.	Colour
PEW 1643 SI ⊕	Yellow	PEW 3243 SI ⊕	Yellow	PEW 6343 SI ⊕	Yellow	PEW 12543 SI ⊕	Yellow
PEW 1663 SI ⊕	Blue	PEW 3263 SI ⊕	Blue	PEW 6363 SI ⊕	Blue	PEW 12563 SI ⊕	Blue
PEW 1693 SI ⊕	Red	PEW 3293 SI ⊕	Red	PEW 6393 SI ⊕	Red	PEW 12593 SI ⊕	Red
PEW 1673 SI ⊕	Black	PEW 3273 SI ⊕	Black	PEW 6373 SI ⊕	Black	PEW 12573 SI ⊕	Black
PEW 16123 SI ⊕	A.V.	PEW 32123 SI ⊕	A.V.	PEW 63123 SI ⊕	A.V.	PEW 125123 SI ⊕	A.V.
PEW 1623 SI ⊕	Green	PEW 3223 SI ⊕	Green	PEW 6323 SI ⊕	Green	PEW 12523 SI ⊕	Green
PEW 1633 SI ⊕	A.V.	PEW 3233 SI ⊕	A.V.	PEW 6333 SI	A.V.	PEW 12533 SI	A.V.
PEW 1683 SI	A.V.	PEW 3283 SI	A.V.	PEW 6383 SI	A.V.	PEW 12583 SI	A.V.
A 52 x 60 mm		B 77 x 85 mm					
PEW 1644 SI ⊕	Yellow	PEW 3244 SI ⊕	Yellow	PEW 6344 SI ⊕	Yellow	PEW 12544 SI ⊕	Yellow
PEW 1694 SI ⊕	Blue	PEW 3294 SI ⊕	Blue	PEW 6394 SI ⊕	Blue	PEW 12594 SI ⊕	Blue
PEW 1664 SI ⊕	Red	PEW 3264 SI ⊕	Red	PEW 6364 SI ⊕	Red	PEW 12564 SI ⊕	Red
PEW 16114 SI ⊕	Black	PEW 32114 SI ⊕	Black	PEW 63114 SI ⊕	Black	PEW 125114 SI ⊕	Black
PEW 1674 SI ⊕	Red	PEW 3274 SI ⊕	Red	PEW 6374 SI ⊕	Red	PEW 12574 SI ⊕	Red
PEW 1654 SI	Black	PEW 3254 SI	Black	PEW 6354 SI	Black	PEW 12554 SI	Black
PEW 1634 SI ⊕	Red	PEW 3234 SI ⊕	Red				
PEW 1634 SI	Red	PEW 3234 SI	Red				
PEW 16104 SI ⊕	Green	PEW 32104 SI ⊕	Green				
PEW 1624 SI ⊕	Green	PEW 3224 SI ⊕	Green				
A 52 x 60 mm		B 77 x 85 mm					
PEW 1645 SI ⊕	Yellow	PEW 3245 SI ⊕	Yellow	PEW 6345 SI ⊕	Yellow	PEW 12545 SI ⊕	Yellow
PEW 1695 SI ⊕	Blue	PEW 3295 SI ⊕	Blue	PEW 6395 SI ⊕	Blue	PEW 12595 SI ⊕	Blue
PEW 1665 SI ⊕	Red	PEW 3265 SI ⊕	Red	PEW 6365 SI ⊕	Red	PEW 12565 SI ⊕	Red
PEW 1675 SI ⊕	Black	PEW 3275 SI ⊕	Black	PEW 6375 SI ⊕	Black	PEW 12575 SI ⊕	Black
PEW 1655 SI	Black	PEW 3255 SI	Black	PEW 6355 SI	Black	PEW 12555 SI	Black
PEW 16115 SI ⊕	Red	PEW 32115 SI ⊕	Red	PEW 63115 SI ⊕	Red	PEW 125115 SI ⊕	Red
PEW 1635 SI ⊕	Red	PEW 3235 SI ⊕	Red				
PEW 1635 SI	Red	PEW 3235 SI	Red				
PEW 1625 SI ⊕	Green	PEW 3225 SI ⊕	Green				
B 77 x 85 mm		B 77 x 85 mm					

dimensions in mm

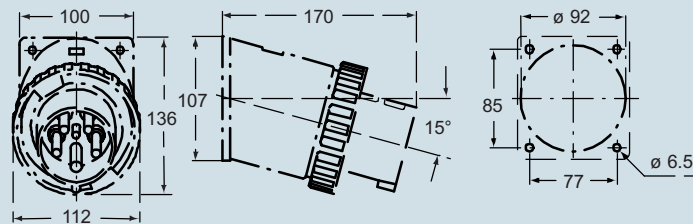
(16 / 32A) PEW ... SI



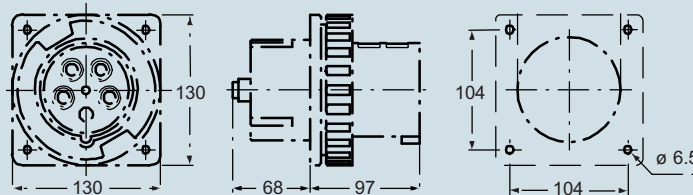
PEW...SI	A	B	C	D	E	F	G	H	X	Y
16A 2P+⊕	65	82	126	81	41	43	21.5	70	52	60
16A 3P+⊕	65	82	126	81	47	43	24.5	78	52	60
16A 3P+N+⊕	90	100	146	93	54	60	27.5	86	77	85
32A 2P+⊕	90	100	160	101	55	60	27.5	92	77	85
32A 3P+⊕	90	100	160	101	55	60	27.5	92	77	85
32A 3P+N+⊕	90	100	160	101	62	60	27.5	100	77	85

dimensions in mm

(63A) PEW ... SI



(125A) PEW ... SI



Accessories for IP67 plugs (optional)



Loose protective cover

Size	Polarity	Part No.
16A	2P+⊕	PEW 163 CS
16A	3P+⊕	PEW 164 CS
16A	3P+N+⊕	PEW 165 CS
32A	2/3P+⊕	PEW 324 CS
32A	3P+N+⊕	PEW 325 CS
63A	All	PEW 63 CS
125A	All	PEW 125 CS