

enclosures:

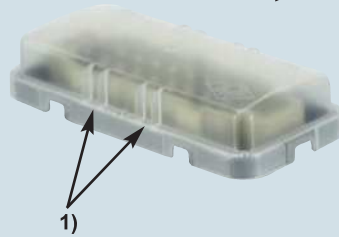
size "44.27", "57.27", "77.27", "104.27"

for versions:

- C-TYPE IP65/IP66
- C7 IP67 stainless steel lever
- V-TYPE IP65/IP66 stainless steel lever
- JEI® zinc-plated steel lever
- BIG hoods
- W-TYPE for aggressive environments
- EMC
- 180 °C
- central lever
- insulated 830V

dust protection cover

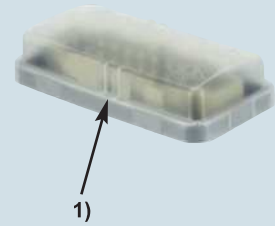
NEW



AVAILABLE

painting protection cover

NEW



AVAILABLE

description

for housings and hoods with 1 or 2 levers,
with 2 or 4 pegs
- size "44.27"
- size "57.27"
- size "77.27"
- size "104.27"

part No.

CHCP 06
CHCP 10
CHCP 16
CHCP 24

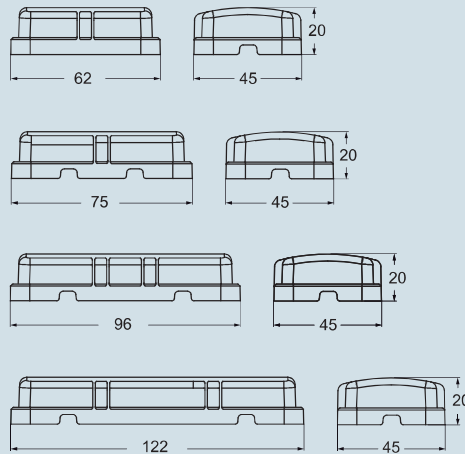
part No.

CHCP 10 V

1) possibility of using cable ties to increase the retention of the insulating cover on the hood

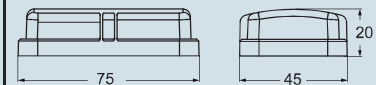
dimensions in mm

CHCP



dimensions in mm

CHCP 10 V



for versions:

- IP68:

size "21.21", "44.27", "57.27", "77.27", "104.27"

dust protection cover,
for housings



**AVAILABLE
2nd QUARTER 2013**

painting protection cover,
for hoods



**AVAILABLE
2nd QUARTER 2013**

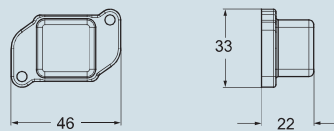
| description | part No. | part No. |
|---|---|---|
| for housings and hoods - size "21.21" - size "44.27" - size "57.27" - size "77.27" - size "104.27" | CGKCP FX CGCP 06 FX CGCP 10 FX CGCP 16 FX CGCP 24 FX | CGKCP MB CGCP 06 MB CGCP 10 MB CGCP 16 MB CGCP 24 MB |

1) possibility of using cable ties to increase the retention of the insulating cover on the hood

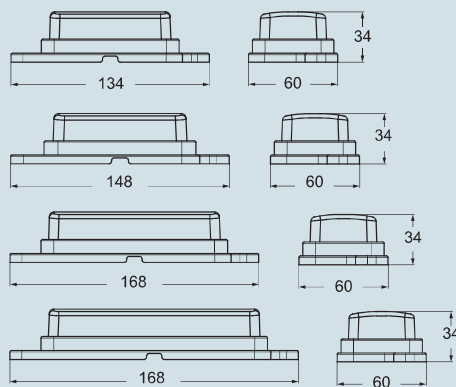
2) possibility to fix by crew:
 - CGKCP FX: 2xM3
 - CGCP FX: 2xM6

dimensions in mm

CGKCP FX

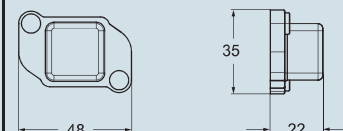


CGCP FX



dimensions in mm

CGKCP MB



CGCP MB

