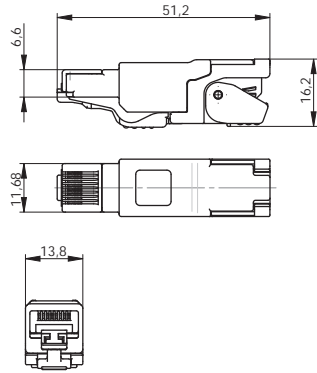


Actuator sensor interface - Ethernet connectivity

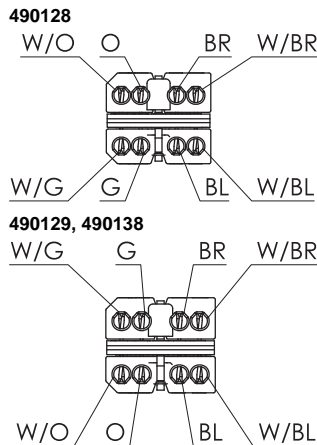
Industrial connector RJ45 solid metal housing, quick-connect technology AWG 27–22 IP 20, Category 6_A, 8-pole



Dimensions



Connection assignment



Description	Part-No.	Type	PU	
Description	Connection according to TIA 568 B	490128	RJ45-M 8pol. Cat.6A T568B	1
	Connection according to TIA 568 A	490129	RJ45-M 8pol. Cat.6A T568A	1
	Connection according to TIA 568 B	490138	RJ45-M 8pol. Cat.6A T568B AWG26	1

Technical data	490128	490129	490138
Nominal voltage		30 V	
Nominal voltage range		–	
Rated current		Max. 1.0 A per contact	
Number of terminations		8	
Cable length (m)		–	
Transmission frequency		10 Gigabit/s	
Category		6 _A (ISO/IEC 11801, DIN EN 50173-1)	
Contact type		Penetration contacts	
Shielding		yes	
General			
Form		RJ45 (IEC 60603-7-51)	
Rated insulation voltage (EN 50178)		–	
Test voltage		–	
Pollution degree		1	
Insulation resistance		≥500 MΩ	
Contact resistance		≤20 mΩ	
Class of flammability according to UL 94		V0	
Protection class		IP 20	
Housing material		Zinc die-casting, nickel-plated/PBT black	
Cover		PBT black	
Contact material		Spring steel 0.8 μm gold-plated	
Field installation		–	
Installation depth		–	
Strand diameter		0.85 – 1.6 mm	0.85 – 1.1 mm
Cable construction		–	
Cable jacket		–	
Cable diameter		5 – 9 mm	
Cross section		AWG 24/1-22/1, AWG 27/7-22/7	AWG 26/1, AWG 26/7, AWG 26/19
Operation temperature range		–40 °C – 70 °C	
Storage temperature range		–40 °C – 70 °C	
Mechanical service life		≥ 750 insertion cycles	
Dimensions (w x h x d)		13.8 x 16.2 x 53.1 mm	
Weight (kg/piece)		0.025	
Approvals		cULus	
Standards		IEC 60603-7-51	

Comments

Suitable for Profinet, SERCOS3, Ethercat, Ethernet/IP, Powerlink, VARAN, Power over Ethernet+ (PoE+IEEE 802.3at)
Item 490138 specifically suited to Ethernet C-track cables AWG 26/19 (104347, 104326, 104310).
Item 490128, 490129 suitable for LÜTZE C-track cables: 104332, 104304, 104245.