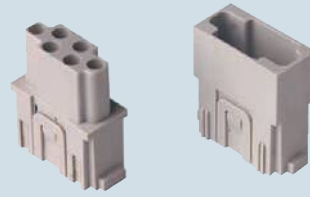


the modular inserts must be installed in suitable frames which in turn are installed in traditional housings or COB panel support

frames for modular units page: 194 - 195

modular units,
crimp connections



16A crimp contacts
normal or for advanced opening
silver and gold plated



description

without contacts (to be ordered separately)
- female inserts for female contacts
- male inserts for female contacts

16A female contacts

0.14-0.37 mm ²	AWG 26-22	three grooves
0.5 mm ²	AWG 20	with no grooves
0.75 mm ²	AWG 18	one groove (back side)
1 mm ²	AWG 18	one groove
1.5 mm ²	AWG 16	two grooves
2.5 mm ²	AWG 14	three grooves
3 mm ²	AWG 12	one wide groove
4 mm ²	AWG 12	with no grooves

16A male contacts

0.14-0.37 mm ²	AWG 26-22	three grooves
0.5 mm ²	AWG 20	with no grooves
0.75 mm ²	AWG 18	one groove (back side)
1 mm ²	AWG 18	one groove
1.5 mm ²	AWG 16	two grooves
2.5 mm ²	AWG 14	three grooves
3 mm ²	AWG 12	one wide groove
4 mm ²	AWG 12	with no grooves

16A male crimp contacts for advanced opening

0.5 mm ²	AWG 20	with no grooves
0.75 mm ²	AWG 18	one groove (back side)
1 mm ²	AWG 18	one groove
1.5 mm ²	AWG 16	two grooves
2.5 mm ²	AWG 14	three grooves

part No.

CX 06 CF
CX 06 CM

part No.

part No.

CCFA 0.3
CCFA 0.5
CCFA 0.7
CCFA 1.0
CCFA 1.5
CCFA 2.5
CCFA 3.0
CCFA 4.0

silver plated

CCFD 0.3
CCFD 0.5
CCFD 0.7
CCFD 1.0
CCFD 1.5
CCFD 2.5
CCFD 3.0
CCFD 4.0

gold plated

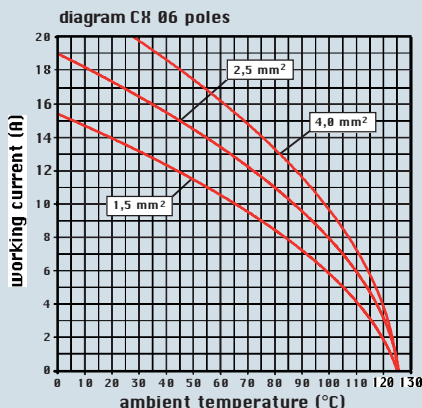
CCMA 0.3
CCMA 0.5
CCMA 0.7
CCMA 1.0
CCMA 1.5
CCMA 2.5
CCMA 3.0
CCMA 4.0

CCMD 0.3
CCMD 0.5
CCMD 0.7
CCMD 1.0
CCMD 1.5
CCMD 2.5
CCMD 3.0
CCMD 4.0

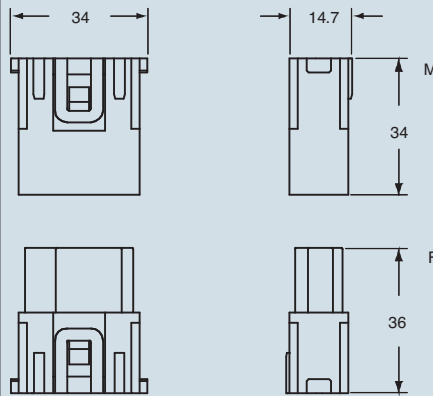
CC 0.5 AN
CC 0.7 AN
CC 1.0 AN
CC 1.5 AN
CC 2.5 AN

- characteristics according to EN 61984:

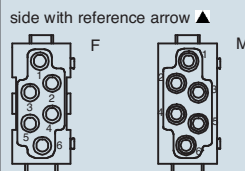
- 16A 500V 6kV 3**
- 16A 400/690V 6kV 2**
- UL, CSA, CCC, GL, GOST certified
- rated voltage according to UL/CSA: 600V
- insulation resistance: $\geq 10 \text{ G}\Omega$
- ambient temperature limit: -40 °C ... +125 °C
- are made of self-extinguishing thermoplastic resin UL 94 V0
- mechanical life: ≥ 500 cycles
- contact resistance: $\leq 1 \text{ m}\Omega$
- for contact crimping instructions, please see the crimping tool section (16A contacts, CCF, CCM and CC...AN series) on pages 466, 470, 480, 482, 484, 486
- for maximum current load, see the following load curves inserts, for more information see page 500



dimensions in mm

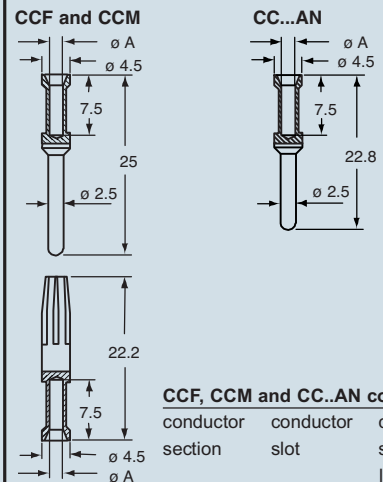


contacts side (front view)



- footprint 1 module

dimensions in mm



CCF, CCM and CC...AN contacts

conductor section	conductor slot	conductors stripping length
mm ²	ø A (mm)	(mm)
0.14-0.37	0.9	7.5
0.5	1.1	7.5
0.75	1.3	7.5
1.0	1.45	7.5
1.5	1.8	7.5
2.5	2.2	7.5
3	2.55	7.5
4	2.85	7.5

dimensions shown are not binding and may be changed without notice

the modular inserts must be installed in suitable frames which in turn are installed in traditional housings or COB panel support

frames for modular units page: 194 - 195

modular units,
crimp connections



16A crimp contacts
normal or for advanced opening
silver and gold plated



description

part No.

part No.

part No.

without contacts (to be ordered separately)
- female inserts for female contacts
- male inserts for female contacts

CX 08 CF
CX 08 CM

16A female contacts

0.14-0.37 mm ²	AWG 26-22	three grooves
0.5 mm ²	AWG 20	with no grooves
0.75 mm ²	AWG 18	one groove (back side)
1 mm ²	AWG 18	one groove
1.5 mm ²	AWG 16	two grooves
2.5 mm ²	AWG 14	three grooves
3 mm ²	AWG 12	one wide groove
4 mm ²	AWG 12	with no grooves

16A male contacts

0.14-0.37 mm ²	AWG 26-22	three grooves
0.5 mm ²	AWG 20	with no grooves
0.75 mm ²	AWG 18	one groove (back side)
1 mm ²	AWG 18	one groove
1.5 mm ²	AWG 16	two grooves
2.5 mm ²	AWG 14	three grooves
3 mm ²	AWG 12	one wide groove
4 mm ²	AWG 12	with no grooves

16A male crimp contacts for advanced opening

0.5 mm ²	AWG 20	with no grooves
0.75 mm ²	AWG 18	one groove (back side)
1 mm ²	AWG 18	one groove
1.5 mm ²	AWG 16	two grooves
2.5 mm ²	AWG 14	three grooves

CCFA 0.3
CCFA 0.5
CCFA 0.7
CCFA 1.0
CCFA 1.5
CCFA 2.5
CCFA 3.0
CCFA 4.0

silver plated

CCFD 0.3
CCFD 0.5
CCFD 0.7
CCFD 1.0
CCFD 1.5
CCFD 2.5
CCFD 3.0
CCFD 4.0

gold plated

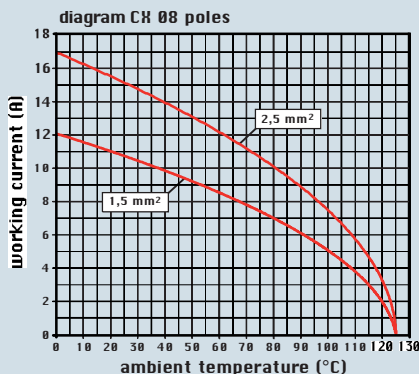
CCMA 0.3
CCMA 0.5
CCMA 0.7
CCMA 1.0
CCMA 1.5
CCMA 2.5
CCMA 3.0
CCMA 4.0

CCMD 0.3
CCMD 0.5
CCMD 0.7
CCMD 1.0
CCMD 1.5
CCMD 2.5
CCMD 3.0
CCMD 4.0

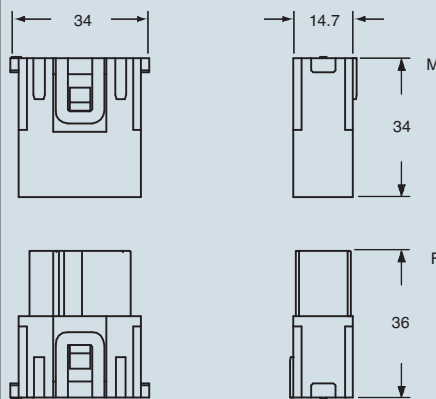
CC 0.5 AN
CC 0.7 AN
CC 1.0 AN
CC 1.5 AN
CC 2.5 AN

- characteristics according to EN 61984:

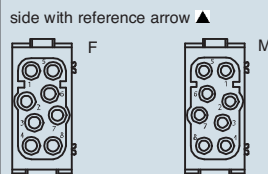
- 16A 400V 6kV 3**
- 16A 400/690V 6kV 2**
- UL, CSA, CCC, GOST certified
- rated voltage according to UL/CSA: 600V
- insulation resistance: $\geq 10 \text{ G}\Omega$
- ambient temperature limit: -40 °C ... +125 °C
- are made of self-extinguishing thermoplastic resin UL 94 V0
- mechanical life: ≥ 500 cycles
- contact resistance: $\leq 1 \text{ m}\Omega$
- for contact crimping instructions, please see the crimping tool section (16A contacts, CCF, CCM and CC...AN series) on pages 466, 470, 480, 482, 484, 486
- for maximum current load, see the following load curves inserts, for more information see page 500



dimensions in mm

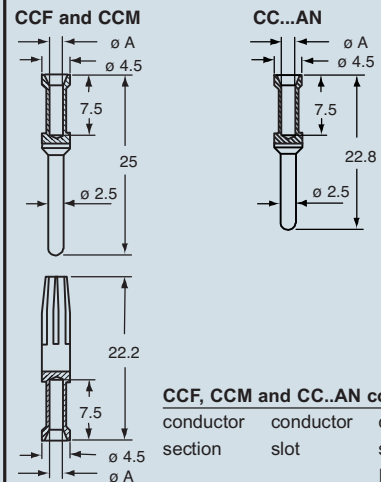


contacts side (front view)



- footprint 1 module

dimensions in mm



CCF, CCM and CC...AN contacts

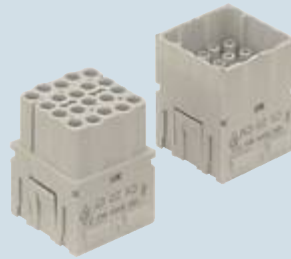
conductor section	conductor slot	conductors stripping length
mm ²	ø A (mm)	(mm)
0.14-0.37	0.9	7.5
0.5	1.1	7.5
0.75	1.3	7.5
1.0	1.45	7.5
1.5	1.8	7.5
2.5	2.2	7.5
3	2.55	7.5
4	2.85	7.5

the modular inserts must be installed in suitable frames which in turn are installed in traditional housings or COB panel support

frames for modular units page: 195

* on request, version with 3 fastened CX 20 CF/CM inserts with poles numbered from 1 – 60
 references: **CX 60 CF, CX 60 CM**

modular units,
 crimp connections



16A crimp contacts
 normal or for advanced opening
 silver and gold plated



description

part No.

part No. part No.

without contacts (to be ordered separately)
 - female inserts for female contacts *
 - male inserts for female contacts *

CX 20 CF
CX 20 CM

16A female contacts

0.14-0.37 mm ²	AWG 26-22	three grooves
0.5 mm ²	AWG 20	with no grooves
0.75 mm ²	AWG 18	one groove (back side)
1 mm ²	AWG 18	one groove
1.5 mm ²	AWG 16	two grooves
2.5 mm ²	AWG 14	three grooves
3 mm ²	AWG 12	one wide groove
4 mm ²	AWG 12	with no grooves

silver plated

CCFA 0.3
CCFA 0.5
CCFA 0.7
CCFA 1.0
CCFA 1.5
CCFA 2.5
CCFA 3.0
CCFA 4.0

gold plated

CCFD 0.3
CCFD 0.5
CCFD 0.7
CCFD 1.0
CCFD 1.5
CCFD 2.5
CCFD 3.0
CCFD 4.0

16A male contacts

0.14-0.37 mm ²	AWG 26-22	three grooves
0.5 mm ²	AWG 20	with no grooves
0.75 mm ²	AWG 18	one groove (back side)
1 mm ²	AWG 18	one groove
1.5 mm ²	AWG 16	two grooves
2.5 mm ²	AWG 14	three grooves
3 mm ²	AWG 12	one wide groove
4 mm ²	AWG 12	with no grooves

CCMA 0.3
CCMA 0.5
CCMA 0.7
CCMA 1.0
CCMA 1.5
CCMA 2.5
CCMA 3.0
CCMA 4.0

CCMD 0.3
CCMD 0.5
CCMD 0.7
CCMD 1.0
CCMD 1.5
CCMD 2.5
CCMD 3.0
CCMD 4.0

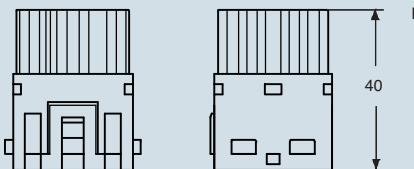
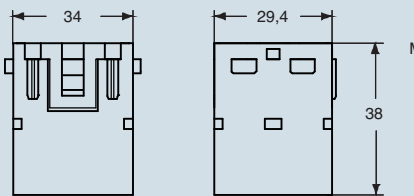
16A male crimp contacts for advanced opening

0.5 mm ²	AWG 20	with no grooves
0.75 mm ²	AWG 18	one groove (back side)
1 mm ²	AWG 18	one groove
1.5 mm ²	AWG 16	two grooves
2.5 mm ²	AWG 14	three grooves

CC 0.5 AN
CC 0.7 AN
CC 1.0 AN
CC 1.5 AN
CC 2.5 AN

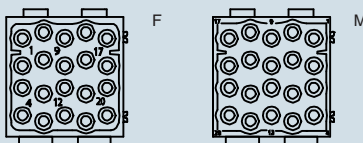
- characteristics according to EN 61984:
16A 500V 6kV 3
16A 830V 8kV 2
- certifications: cUL (UL for USA and Canada), CSA, GOST
- rated voltage according to UL/CSA: 600V
- insulation resistance: $\geq 10 \text{ G}\Omega$
- ambient temperature limit: -40 °C ... +125 °C
- are made of self-extinguishing thermoplastic resin UL 94 V0
- mechanical life: ≥ 500 cycles
- contact resistance: $\leq 1 \text{ m}\Omega$
- for contact crimping instructions, please see the crimping tool section (16A contacts, CCF, CCM and CC...AN series) on pages 466, 470, 480, 482, 484, 486
- for maximum current load, see the following load curves inserts, for more information see page 500

dimensions in mm



contacts side (front view)

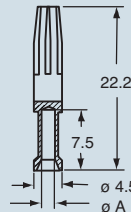
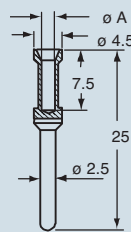
side with reference arrow ▲



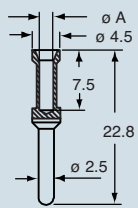
- footprint 2 modules

dimensions in mm

CCF and CCM

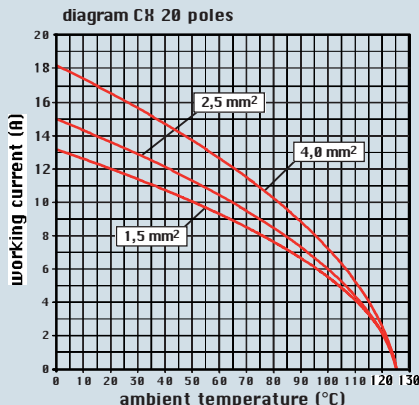


CC...AN



CCF, CCM and CC...AN contacts

conductor section	conductor slot	conductors stripping length
mm ²	ø A (mm)	(mm)
0.14-0.37	0.9	7.5
0.5	1.1	7.5
0.75	1.3	7.5
1.0	1.45	7.5
1.5	1.8	7.5
2.5	2.2	7.5
3	2.55	7.5
4	2.85	7.5



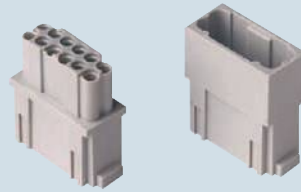
dimensions shown are not binding and may be changed without notice

the modular inserts must be installed in suitable frames which in turn are installed in traditional housings or COB panel support

frames for modular units page: 194 - 195

modular units,
crimp connections

10A crimp contacts
silver and gold plated



description

part No.

part No.

part No.

without contacts (to be ordered separately)
- female inserts for female contacts
- male inserts for female contacts

CX 12 DF
CX 12 DM

10A female crimp contacts
0.14-0.37 mm² AWG 26-22
0.5 mm² AWG 20
0.75 mm² AWG 18
1 mm² AWG 18
1.5 mm² AWG 16
2.5 mm² AWG 14

10A male crimp contacts
0.14-0.37 mm² AWG 26-22
0.5 mm² AWG 20
0.75 mm² AWG 18
1 mm² AWG 18
1.5 mm² AWG 16
2.5 mm² AWG 14

CDFA 0.3
CDFA 0.5
CDFA 0.7
CDFA 1.0
CDFA 1.5
CDFA 2.5

silver plated

CDFD 0.3
CDFD 0.5
CDFD 0.7
CDFD 1.0
CDFD 1.5
CDFD 2.5

gold plated

CDMA 0.3
CDMA 0.5
CDMA 0.7
CDMA 1.0
CDMA 1.5
CDMA 2.5

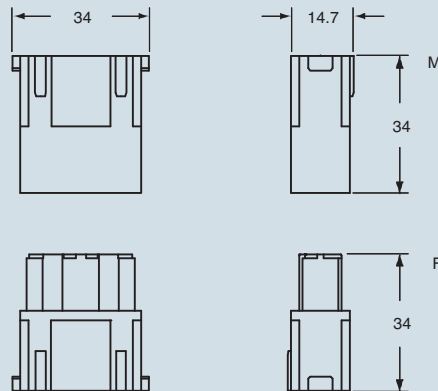
CDMD 0.3
CDMD 0.5
CDMD 0.7
CDMD 1.0
CDMD 1.5
CDMD 2.5

- characteristics according to EN 61984:

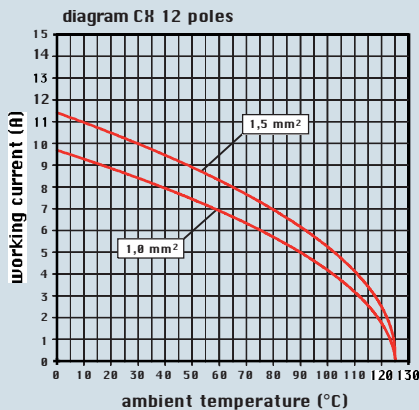
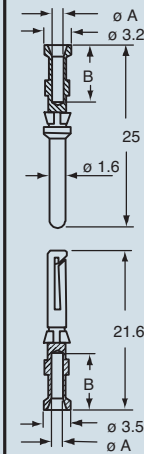
10A 160V 2,5kV 3
10A 250V 4kV 2

- UL, CSA, CCC, GL, GOST certified
- rated voltage according to UL/CSA: 600V
- insulation resistance: $\geq 10 \text{ G}\Omega$
- ambient temperature limit: $-40 \text{ }^\circ\text{C} \dots +125 \text{ }^\circ\text{C}$
- are made of self-extinguishing thermoplastic resin UL 94 V0
- mechanical life: ≥ 500 cycles
- contact resistance: $\leq 3 \text{ m}\Omega$
- PCBs interface, see article CIF 2.4
- for contact crimping, see the crimp tool section (10A contacts, CDF and CDM series) on pages 466, 470, 480, 482, 484, 486
- for maximum current load, see the following load curves inserts, for more information see page 500

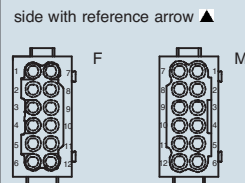
dimensions in mm



dimensions in mm



contacts side (front view)



- footprint 1 module

CDF and CDM contacts

conductor section mm ²	conductor slot ø A (mm)	conductors stripping length B (mm)
0.14-0.37	0.9	8
0.5	1.1	8
0.75	1.3	8
1.0	1.45	8
1.5	1.8	8
2.5	2.2	6

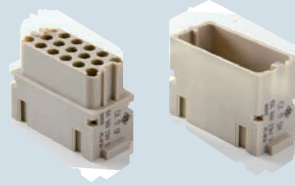
dimensions shown are not binding
and may be changed without notice

the modular inserts must be installed in suitable frames which are then mounted in traditional housings or COB panel support

frames for modular units page: 194 - 195

modular units,
crimp connections

10A crimp contacts
silver and gold plated



NEW



description

part No.

part No.

part No.

without contacts (to be ordered separately)
- female inserts for female contacts
- male inserts for male contacts

CX 17 DF
CX 17 DM

10A female contacts
0.14-0.37 mm² AWG 26-22 identification No. 1
0.5 mm² AWG 20 identification No. 2
0.75 mm² AWG 18 identification No. ②
1 mm² AWG 18 identification No. 3
1.5 mm² AWG 16 identification No. 4
2.5 mm² AWG 14 identification No. 5

CDFA 0.3	silver plated	CDFD 0.3	gold plated
CDFA 0.5		CDFD 0.5	
CDFA 0.7		CDFD 0.7	
CDFA 1.0		CDFD 1.0	
CDFA 1.5		CDFD 1.5	
CDFA 2.5		CDFD 2.5	

10A male contacts
0.14-0.37 mm² AWG 26-22 identification No. 1
0.5 mm² AWG 20 identification No. 2
0.75 mm² AWG 18 identification No. ②
1 mm² AWG 18 identification No. 3
1.5 mm² AWG 16 identification No. 4
2.5 mm² AWG 14 identification No. 5

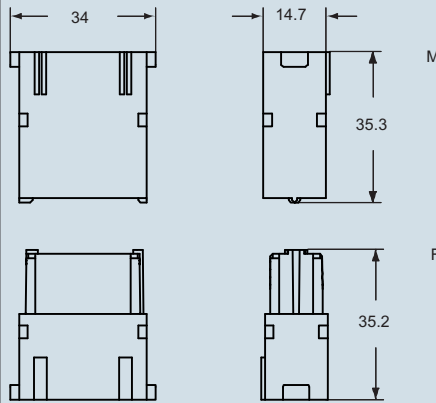
CDMA 0.3	silver plated	CDMD 0.3	gold plated
CDMA 0.5		CDMD 0.5	
CDMA 0.7		CDMD 0.7	
CDMA 1.0		CDMD 1.0	
CDMA 1.5		CDMD 1.5	
CDMA 2.5		CDMD 2.5	

- characteristics according to EN 61984:

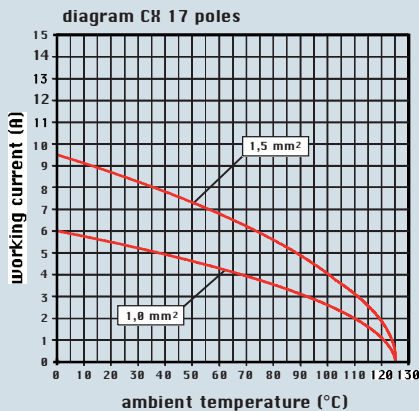
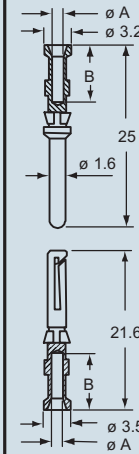
10A 160V 2,5kV 3
10A 250V 4kV 2

- certifications: cUL (UL for USA and Canada), CCC
- rated voltage according to UL/CSA: 600V
- insulation resistance: $\geq 10 \text{ G}\Omega$
- ambient temperature limit: -40 °C ... +125 °C
- are made of self-extinguishing thermoplastic resin UL 94 V0
- mechanical life: ≥ 500 cycles
- contact resistance: $\leq 3 \text{ m}\Omega$
- for contact crimping, see the crimp tool section (10A contacts, CDF and CDM series) on pages 466, 470, 480, 482, 484, 486
- for maximum current load, see the following load curves inserts, for more information see page 500

dimensions in mm

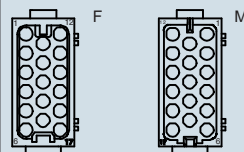


dimensions in mm



contacts side (front view)

side with reference arrow ▲



- 1 frame slot

CDF and CDM contacts

conductor section mm ²	conductor slot ø A (mm)	conductors stripping length B (mm)
0.14-0.37	0.9	8
0.5	1.1	8
0.75	1.3	8
1.0	1.45	8
1.5	1.8	8
2.5	2.2	6

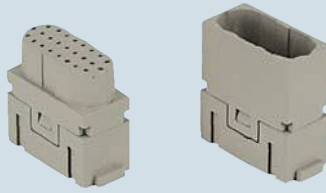
dimensions shown are not binding and may be changed without notice

the modular inserts must be installed in suitable frames which are then mounted in traditional housings or COB panel support

frames for modular units page: 194 - 195

- we recommend the use of CRF / CRM code pins

modular units,
crimp connections



AVAILABLE

crimp contacts
gold plated



description

part No.

part No.

without contacts (to be ordered separately)
- female inserts for female contacts
- male inserts for male contacts

CX 25 IF
CX 25 IM

4A female crimp contacts
0.08-0.21 mm² AWG 28-24
0.13-0.33 mm² AWG 26-22
0.33-0.52 mm² AWG 22-20

CIFD 0.2
CIFD 0.3
CIFD 0.5

gold plated

4A male crimp contacts
0.08-0.21 mm² AWG 28-24
0.13-0.33 mm² AWG 26-22
0.33-0.52 mm² AWG 22-20

CIMD 0.2
CIMD 0.3
CIMD 0.5

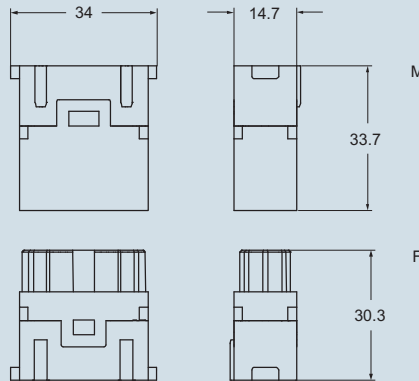
- characteristics according to EN 61984:

4A 50V 0.8kV 3
4A 160V 2.5kV 2

- insulation resistance: $\geq 10 \text{ G}\Omega$
- ambient temperature limit: $-40 \text{ }^\circ\text{C} \dots +125 \text{ }^\circ\text{C}$
- made of self-extinguishing thermoplastic resin UL 94 V0

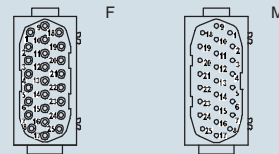
- mechanical life: ≥ 500 cycles
- for crimp contacts CI series use:
CIPZ D crimping tool
CITP D turret head
CIES insertion / removal tool

dimensions in mm



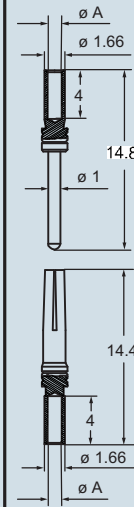
contacts side (front view)

side with reference arrow ▲



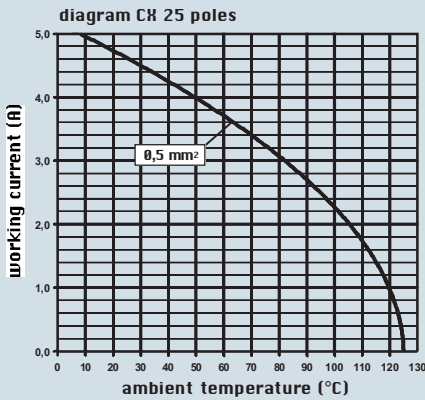
- 1 frame slot

dimensions in mm



CIF, CIM contacts

conductor section mm ²	conductor slot ø A (mm)	conductors stripping length (mm)
0.08-0.21	0.64	4
0.13-0.33	0.90	4
0.33-0.52	1.12	4



dimensions shown are not binding
and may be changed without notice