

## Application

The MIXO series is a system of modular units for special applications that uses the traditional ILME enclosures.

Each enclosure can house different types of connections such as, for example: electric signals and contacts for the conduction of compressed air with pressure values of up to 8 bars.

The inserts are arranged side by side to form a single compact block which is inserted into metallic frames with mandatory housings. Once the modules have been inserted and locked with the special tabs, the connector can then be inserted into the enclosure.

The modular structure system makes it easy to access a series of contacts inserted in the frame (e.g., for substitution, checks or the addition of signals with new inserts for needs not foreseen during the initial installation) without having to disassemble the entire connector.

The use of standard die-cast aluminium enclosures with degree of protection IP65 provides the possibility of innumerable applications.

The MIXO series may be used with 5 different frame sizes. The following table lists the frames and the metallic enclosures that may be used.

frames	one or two-level metallic enclosures
<b>CX 01 T</b>	size "49.16"
<b>CX 02 TM/TF</b>	size "44.27"
<b>CX 03 TM/TF</b>	size "57.27"
<b>CX 04 TM/TF</b>	size "77.27"
<b>CX 06 TM/TF</b>	size "104.27"
<b>CX 04 TM/TF (x 2)</b>	size "77.62"
<b>CX 06 TM/TF (x 2)</b>	size "104.62"

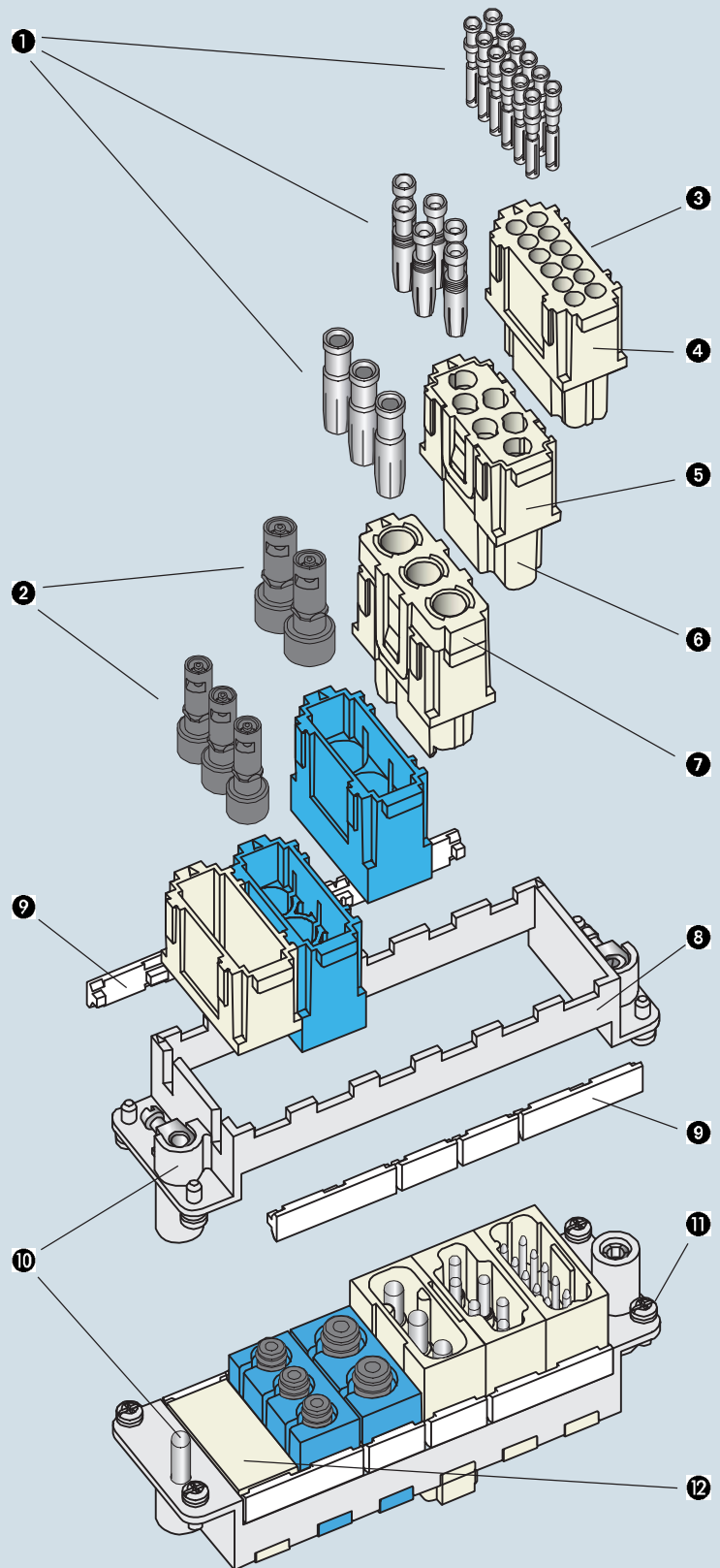
In addition, the MIXO series can be used with the COB series panel supports

frames	panel supports part No.
<b>CX 02 TM/TF</b>	fixed: <b>COB 06 BC</b> and <b>COB TCQ</b>
	mobile: <b>COB TSF</b> , <b>COB TSFS</b> and <b>COB 06 CMS</b>
<b>CX 03 TM/TF</b>	fixed: <b>COB 10 BC</b> and <b>COB TCQ</b>
	mobile: <b>COB TSF</b> , <b>COB TSFS</b> and <b>COB 10 CMS</b>
<b>CX 04 TM/TF</b>	fixed: <b>COB 16 BC</b> and <b>COB TCQ</b>
	mobile: <b>COB TSF</b> , <b>COB TSFS</b> and <b>COB 16 CMS</b>
<b>CX 06 TM/TF</b>	fixed: <b>COB 24 BC</b> and <b>COB TCQ</b>
	mobile: <b>COB TSF</b> , <b>COB TSFS</b> and <b>COB 24 CMS</b>

The MIXO series currently includes 6 different types of inserts. The field of application is provided in the table at the bottom of the next page.

## Characteristics

- ❶ electric contacts in silver-plated or gold-plated brass with connections to the conductors via crimping, spring clamp or axial screw.
- ❷ pneumatic contacts in plastic with insertion tube connection
- ❸ modular inserts of identical size with insertion system for forming the complete module and frame lock tab.
- ❹ inserts in self-extinguishing thermoplastic material, reinforced with glass fibre, UL 94-V0 approved, with a working temperature range of -40 °C to +125 °C.
- ❺ inserts in conformance with the requirements of the EN 61984 standard and certified and marked with the UL, CSA, CCC, GL, GOST marks.
- ❻ inserts with asymmetric guide rails to prevent incorrect coupling.
- ❼ position of contacts identified with numbers or codes on both sides of every insert.
- ❽ male/female module carrier frames with mandatory housings and polarity, in die-cast zinc alloy.
- ❾ module lock tab, may be divided according to the number of modules used; guarantees a perfect stability of the modules during wiring and coupling/uncoupling of the connectors.
- ❿ asymmetric earth contacts (two for frame) with wide contact surface to prevent incorrect coupling; when two or more identical connectors of the MIXO series are used, coded pins prevent incorrect coupling (see pages 429, 430 and 431).
- ⓫ captive frame fastening screws, with flexible spring washer.
- ⓬ dummy module for unused frame slots.



inserts	contact type	signal type	connectors and tubes connections	rated current A	rated voltage V	No. of frame slots
<b>CX 01 YF/M</b>	main	electric	crimp	200	1000	2
<b>CX 01 YPEF/M</b>	PE	---	crimp	200	---	2
<b>CX 02 GF/M</b>	main	electric	crimp	100	1000	2
<b>CX 02 7F/M</b>	main	electric	crimp	70	1000	1
<b>CX 02 4AF/M</b>	main	electric	axial screw	40	1000	1
<b>CX 02 4BF/M</b>	main	electric	axial screw	40	1000	1
<b>CX 03 4F/M</b>	main	electric	crimp	40	400/690	1
<b>CX 03 4BF/BM</b>	main	electric	crimp	40	500	1
<b>CX 3/4 XDF/M</b>	main	electric	crimp	40/10	830	1
<b>CX 04 XF/M</b>	main	electric	crimp	40	830	1
<b>CX 05 SF/M</b>	main	electric	spring	16	400	1
<b>CX 06 CF/M</b>	main	electric	crimp	16	500	1
<b>CX 08 CF/M</b>	main	electric	crimp	16	400	1
<b>CX 20 CF/M</b>	main	electric	crimp	16	500	2
<b>CX 12 DF/M</b>	main / auxiliary	electric	crimp	10	250	1
<b>CX 17 DF/M</b>	main / auxiliary	electric	crimp	10	160	1
<b>CX 25 IF/M</b>	main / auxiliary	elettrico	crimp	4	50	1
<b>CX 02 HF/M</b>	main	electric	crimp	16	2900/5000	2
<b>CX 02 BF/M</b>	seat for two shielded connectors (see CX 04 B, CX 01 B, CX 01 BC, CX 08 B)					
<b>CX 01 BCF/M</b>	main / auxiliary + shield	electric	crimp	16	50	---
<b>CX 01 BF/M</b>	main / auxiliary + shield	electric	crimp	10	50	---
<b>CX 04 BF/M</b>	main / auxiliary + shield	electric	crimp	10	50	---
<b>CX 08 BF/M</b>	main / auxiliary + shield	electric	crimp	5	50	---
<b>CX 03 P</b>	pneumatic Ø 1.6 - 3.0 - 4.0 mm	gas **	push-in	---	---	1
<b>CX 02 P</b>	pneumatic Ø 6.0 mm	gas **	push-in	---	---	1
<b>CX FM</b>	none (dummy module)	---	---	---	---	1
<b>CX 01 JF/M</b>	RJ45 + auxiliary	electric	crimp	10	250	2
<b>CX 02 JF/M</b>	RJ45 + auxiliary	electric	crimp	10	250	3
<b>CX 01 UF/M</b>	USB	electric	---	---	---	1
<b>CX 01 9VF/M</b>	D-SUB	electric	crimp	5	50	1
<b>CX 04 LF/M</b>	POF / MOST / coaxial	optic / electric	crimp / solder	---	---	1

**\*\* Warning:** The use of pneumatic contacts requires an appropriate filtering and dehydration system to prevent dangerous condensation. Contacts may be used for pressure values of up to a maximum of 8 bars/116 psi.